

PARTS LIST

[NX-CDR7R]

* All printed circuit boards and its assemblies are not available as service parts.

CA-NXCDR7R / SP-NXCDR7R

Area suffix

B ----- U.K.
 E ----- Continental Europe
 EN ----- Northern Europe

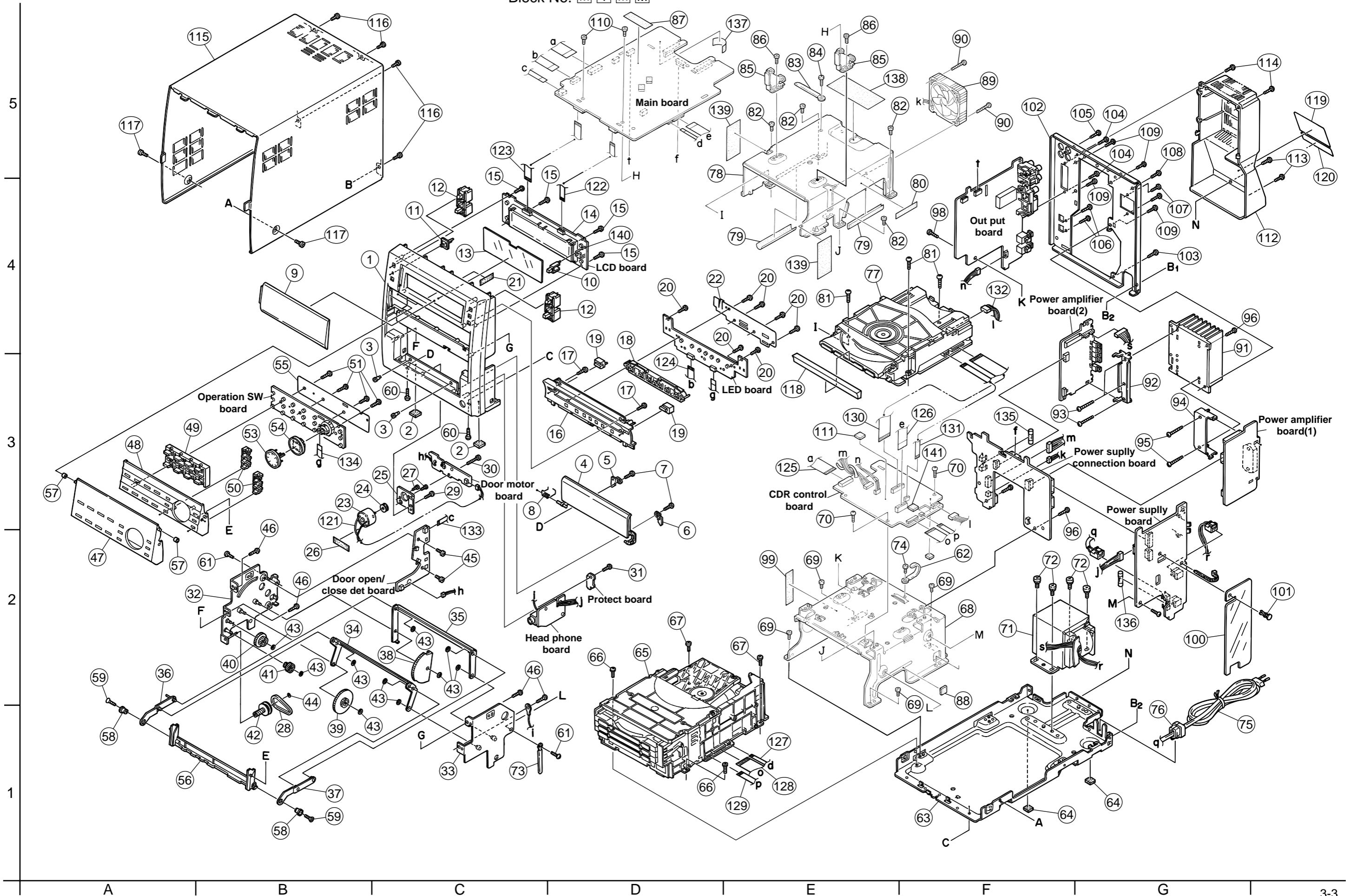
- Contents -

Exploded view of general assembly and parts list (Block No.M1)	3- 3
CD changer mechanism assembly and parts list (Block No.MA)	3- 6
CD-R/RW loading mechanism assembly and parts list (Block No.MR)	3- 8
Electrical parts list (Block No.01~07)	3-10
Packing materials and accessories parts list (Block No.M3,M5)	3-22

< MEMO >

Exploded view of general assembly and parts list

Block No. **M 1 M M**



NX-CDR7R

■ Parts list (General assembly)

Block No. M1MM

△	Item	Parts number	Parts name	Q'ty	Description	Area
	1	LV10573-002A	FRONT PANEL	1	MIPS/SPRAY/SILK	
	2	E75896-002	FELT SPACER	2	FOOT	
	3	E69897-002	CUSHION	2	FOR CD DOOR	
	4	LV21113-001A	CD DOOR	1		
	5	LV41694-001A	DOOR BKT(L)	1	FOR CD DOOR	
	6	LV41695-001A	DOOR BKT(R)	1	FOR CD DOOR	
	7	QYSBSF2608Z	T.SCREW	2	FOR DOOR BKT	
	8	LV42533-001A	DOOR SPRING	1	FOR CD DOOR	
	9	LV32966-004A	WINDOW LENS	1	PMMA/HOT ST/SIL	
	10	LV42471-001A	REMOCON LENS	1	AS/CLEAR	
	11	LV42472-001A	POWER INDICATOR	1	AS/CLEAR	
	12	LV32964-001A	POWER BUTTON	2	ABS/VACUUM METAL	
	13	LV42601-001A	FILTER	1	PC T0.5	
	14	LV31383-002A	FL HOLDER	1		
	15	QYSBSF2608Z	T.SCREW	4	FL PWB+F.PANEL	
	16	LV21102-001A	CD ESCUTCHEON	1	PS/SPRAY/SILK	
	17	QYSBSF2606M	SCREW	2	CD ESC+F.PANEL	
	18	LV21103-001A	REC.BUTTON	1	PS/SPRAY	
	19	LV42474-001A	INDICATOR(CD)	2	AS/CLEAR	
	20	QYSBSF2608Z	T.SCREW	7	CD ESC+REC PWB	
	21	LV30225-011A	SPACER	1	FOR FFC	
	22	LV42630-002A	BURRIER(A)	1		
	23	QAR0164-001	MOTOR	1		
	24	VKS5548-001	MOTOR PULLEY	1		
	25	LV42509-001A	MOTOR BKT	1		
	26	LV30225-011A	SPACER	1		
	27	QYSPSPU1720Z	SCREW	2	FOR MOTOR	
	28	VKB3000-184	BELT	1		
	29	QYSBSF2608Z	T.SCREW	1	MOTOR BKT+F.P	
	30	QYSBSF2608Z	T.SCREW	1	FOR MOTOR PWB	
	31	QYSBSF3008Z	SCREW	1	FOR H.P PWB	
	32	LV33024-001A	GEAR BKT ASS'Y	1		
	33	LV33025-001A	ARM BKT ASS'Y	1		
	34	LV33013-001A	ARM1	1	EGC T1.0	
	35	LV33014-001A	ARM2	1	EGC T1.0	
	36	LV42526-001A	ARM3 ASS'Y	1		
	37	LV42527-001A	ARM4 ASS'Y	1		
	38	LV33022-001A	GEAR1	1	POM	
	39	LV42489-001A	GEAR2	1	POM	
	40	LV42490-001A	GEAR3	1	POM	
	41	LV42491-001A	GEAR4	1	POM	
	42	LV42525-001A	PULLY WORM	1	POM	
	43	LV42701-001A	WASHER	10	GEARX4,ARMX6	
	44	WDL163225-0	SLIT WASHER	1	PULLY WORM	
	45	QYSDST3006Z	SCREW	2	FOR SW PWB	
	46	QYSBSF2608Z	T.SCREW	4	MOVING ASSY+F.P	
	47	LV21104-002A	MOVING LENS	1	ABS/SILK	
	48	LV21105-001A	MOVING PANEL	1	PS/SPRAY	

■ Parts list (General assembly)

Block No. M1MM

△	Item	Parts number	Parts name	Q'ty	Description	Area
	49	LV33026-001A	FUNCTION BUTTON	1	ABS/VACUUM METAL	
	50	LV32968-001A	EJECT BUTTON	2	ABS/VACUUM METAL	
	51	QYSBSF2608Z	T.SCREW	4	FOR MOVING PWB	
	53	LV32969-001A	VOLUME RING	1	ABS/VACUUM METAL	
	54	LV32970-001A	VOLUME KNOB	1	AS/CLEAR	
	55	LV33156-002A	MOVING PROTECT	1		
	56	LV32967-001A	MOVING COVER	1		
	57	LV42528-001A	COLLOR(A)	2	FOR MOVING LENS	
	58	LV42529-001A	COLLOR(B)	2	ARM3,4+MOVING	
	59	QYSSSF2608Z	SCREW	2	ARM3,4+MOVING	
	60	QYSBSG3008Z	T.SCREW	2	F.PANEL+BOTTOM	
	61	QYSDST3006Z	SCREW	2	M.MECHA+SUB.CHASSIS	
	62	VKZ4001-110S	WIRE HOLDER	1	FOR H.P.WIRE	
	63	LV10574-001A	BOTTOM CHASSIS	1	EGC T1.0	
	64	E75896-006	FELT SPACER	2	FOOT FOR CHASSIS	
	65	-----	3CD CHANGER MECHA	1	BDL1131-M001YP	
	66	QYSDST3006Z	SCREW	2	ZC4 + CD BKT	
	67	QYSDST3006Z	SCREW	2	ZC4 + CHASSIS	
	68	LV10575-001A	SUB CHASSIS	1	EGC T1.0	
	69	QYSDST3006E	SCREW	5	BOTTOM+SUB CHASSIS	
	70	QYSBSG3008Z	T.SCREW	2	CNCT PWB+SUB CHASSIS	
△	71	QQT0354-001	POWER TRANS	1		
	72	QYSDSTL4008Z	SPECIAL SCREW	4	TRANS+B.CHASSIS	
	73	VKZ4001-110S	WIRE HOLDER	1	FOR TRANS WIRE	
	74	QYSDST3004Z	SCREW	1	WIRE HOLDER	
△	75	QMPN160-200-JD	POWER CORD	1		B
△		QMPK200-200-JD	POWER CORD	1		E,EN
	76	QZW0033-001	STRAIN RELIEF	1		
	77	EMU-R7-11M	SINGLE CD MECHA	1		
	78	LV10581-001A	CDR CHASSIS	1		
	79	LV30225-059A	SPACER	2	FOR CDR CHASSIS	
	80	LV30225-059A	SPACER	1	FOR ZC4 WIRE	
	81	QYSBSG3008Z	T.SCREW	3	CD MECHA+CDR CHASSIS	
	82	QYSDST3006E	SCREW	4	SUB CHAS+CDR CHASSIS	
	83	VKZ4001-111S	WIRE CLAMP	1		
	84	QYSDST3004Z	SCREW	1		
	85	LV32973-001A	PWB BKT	2		
	86	QYSDST3006E	SCREW	2	PWB BKT+CDR CHASSIS	
	87	LV30225-0D1A	SPACER	1		
	88	VYSH101-009	SPACER	1		
	89	QAR0124-002	FAN MOTOR	1	WIRE 200MM	
	90	QYSBSG3020Z	TAP SCREW	2	FAN+CDR CHASSIS	
	91	LV32974-002A	HEAT SINK	1	BLACK ALUMITE	
	92	LV31393-002A	IC HOLDER	1	REGULATOR	
	93	QYSBSG3014E	T.SCREW	3	IC HOLDER+H.SINK	
	94	LV32129-001A	IC HOLDER	1	POWER AMP IC	
	95	QYSBSG3014E	T.SCREW	2	IC HOLDER+H.SINK	
	96	QYSBSG3008Z	T.SCREW	2	REAR PWB+SUB CHASSIS	

Parts list (General assembly)
Block No. M1MM

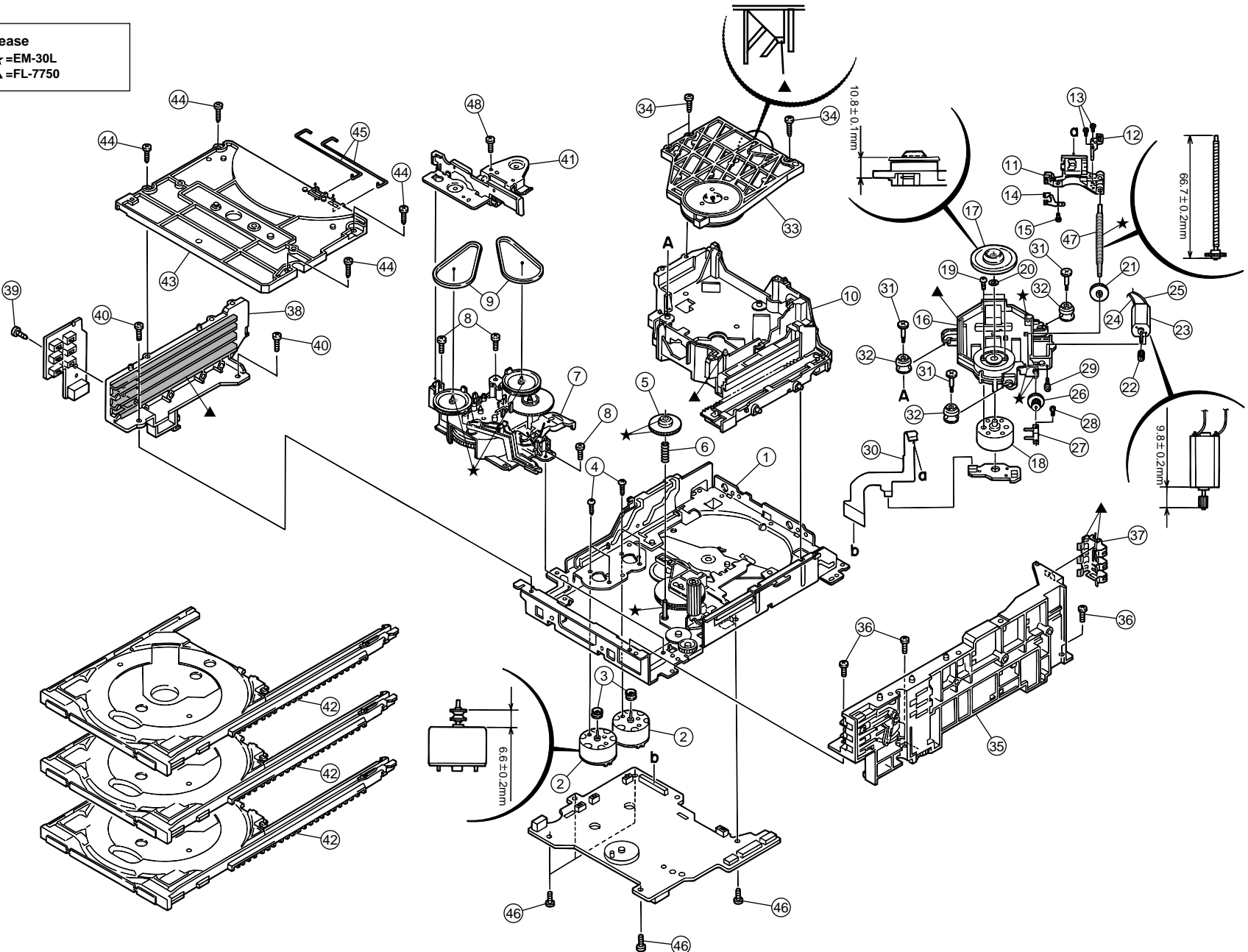
△	Item	Parts number	Parts name	Q'ty	Description	Area
	98	QYSDST3006Z	SCREW	1	M.TRA PWB+SUB CHASSIS	
	99	LV30225-011A	SPACER	1		
	100	LV32972-001A	PWB COVER	1	FOR MINI TR PWB	
	101	FMYH4004-001	PLASTIC RIVET	1		
	102	LV21108-002A	REAR PANEL	1		
	103	QYSBSGY3008E	SPECIAL SCREW	1	R.PANEL+BOTTOM	
	104	QYSBSGY3008E	SPECIAL SCREW	2	ANT.+R.PANEL	
	105	QYSBSGY3008E	SPECIAL SCREW	1	PIN JACK+R.PANE	
	106	QYSBSGY3008E	SPECIAL SCREW	2	DIGITAL OPT+R.P	
	107	QYSBSGY3008E	SPECIAL SCREW	2	SPEAKER JACK+R.P	
	108	QYSBSGY3008E	SPECIAL SCREW	1	M.TRANS PWB+R.P	
	109	QYSBSGY3008E	SPECIAL SCREW	4	HEAT SINK+R.PANEL	
	110	QYSDST3006E	SCREW	2	MICON PWB+PWB BK	
	111	VYSH101-009	SPACER	1		
	112	LV21109-002A	REAR COVER	1		
	113	QYSBSGY3008E	SPECIAL SCREW	2	REAR COVER+R.PANEL	
	114	QYSBSGY3008E	SPECIAL SCREW	2	REAR COVER+B.CHASSIS	
	115	LV21110-001A/S/	METAL COVER	1		
	116	QYSBSGY3008E	SPECIAL SCREW	4	FOR REAR	
	117	QYSDSG3006M	T.SCREW	2	FOR SIDE	
	118	LV32965-001A	TRAY FITTING	1	FOR CDR	
	119	LV33030-004A	NAME PLATE	1	REAR COVER	E
		LV33030-002A	NAME PLATE	1	REAR COVER	B,EN
	120	VND4118-004	CAUTION LABEL	1	REAR COVER	
	121	WJM0252-001A	E-SI C WIRE C-F	1		
	122	QUQ110-1108AF	FFC WIRE	1	FL-MICON(1)	
	123	QUQ110-1508AF	FFC WIRE	1	FL-MICON(2)	
	124	QUQ110-1324AF	FFC WIRE	1	REC-MICON	
	125	QUQ412-1722CJ	FFC WIRE	1	CONNECT-MICON	
	126	QUQ412-1520CF	FFC WIRE	1	CONNECT-MICON	
	127	QUQ110-0424AF	FFC WIRE	1	ZC4-MICON	
	128	QUQ110-1910BJ	FFC WIRE	1	ZC4-CONNECT(1)	
	129	WJU0007-001A	SH FFC WIRE	1		
	130	QUQ110-2313AF	FFC WIRE	1	CDR-CONNECT(1)	
	131	WJU0006-001A	FFC WIRE	1		
	132	QJJ009-061101	SIN ID C-C WIRE	1	CDR-CONNECT	
	133	QUQ412-0524DJ	FFC WIRE	1		
	134	QUQG10-1014BF	FFC WIRE	1		
△	135	QMF51W2-4R0-J8	FUSE	1		
△	136	QMF51W2-1R0-J8	FUSE	1		
	137	LV30225-011A	SPACER	1		
	138	LV30225-0E3A	SPACER	1		
	139	LV30225-0E4A	SPACER	2		
	140	LV40859-001A	SPACER	1		
	141	VYSH101-009	SPACER	1		

CD changer mechanism assembly and parts list

FMU-ZC4-1M

Block No. M A M M

Grease
 ★ = EM-30L
 ▲ = FL-7750



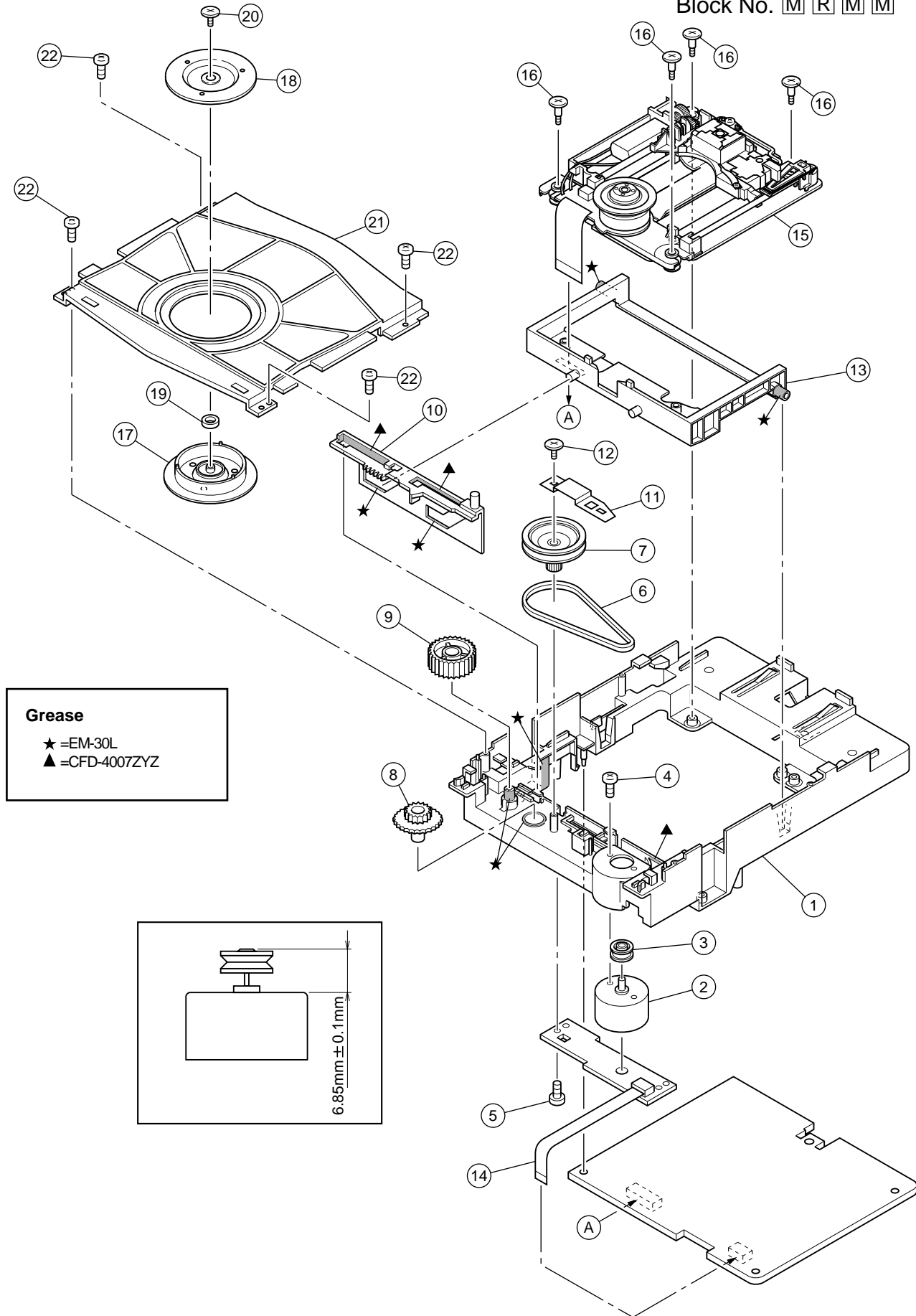
■ Parts list (CD Changer mechanism)

Block No. MAMM

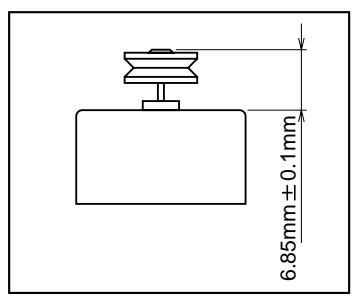
△	Item	Parts number	Parts name	Q'ty	Description	Area
	1	LV20581-001A	CHASSIS UNIT	1		
	2	RF-500TB-12560	MOTOR	2		
	3	VKS5548-001	MOTOR PULLEY	2		
	4	QYSPSP2603Z	SCREW	4		
	5	LV31586-001A	SELECT GEAR	1		
	6	LV41427-001A	SELECT SPRING	1		
	7	LV20588-001A	GEAR BASE UNIT	1		
	8	QYSDST2606Z	SCREW	3		
	9	LV41431-001A	BELT	2		
	10	LV20586-003A	SUB CHAS. UNIT	1		
	11	OPTIMA-725B1	CD PICK UP	1		
	12	LV32013-003A	RACK ARM	1		
	13	QYSPSPT1720M	MINI SCREW	2		
	14	LV31744-001A	P.S.SPRING	1		
	15	QYSPSGT1425M	TAP SCREW	1		
	16	VKS1161-006	T.MECHA CHASSIS	1		
	17	LV31745-001A	TURN TABLE ASSY	1		
	18	QAR0123-001	SPINDLE MOTOR	1		
	19	VKZ4743-001	SPECIAL SCREW	2		
	20	WFM214025	WASHER	1		
	21	VKS5556-001	S.S. GEAR	1		
	22	VKS5557-001	F.M. GEAR	1		
	23	PPN-13KA10C	MOTOR	1		
	24	VWE292-07AZAZ	UL VINYL WIRE	1		
	25	VWE290-08AZAZ	WIRE	1		
	26	VKS5558-001	MIDDLE GEAR	1		
	27	VKM3904-001	SHAFT HOLDER	1		
	28	VKZ4248-204	MINI TAP SCREW	1		
	29	QYSPSPL2004Z	SCREW	1		
	30	LVB30006-002A	FPC	1		
	31	LV41424-001A	SPECIAL SCREW	3		
	32	LV41659-001A	INSULATOR	3		
	33	LV31799-001A	CLAMPER UNIT	1		
	34	QYSBSF2608Z	T.SCREW	3		
	35	LV20594-002A	SIDE(R) UNIT	1		
	36	QYSDST2606Z	SCREW	3		
	37	LV31575-001A	CLICK SPRING	1		
	38	LV10308-001A	SIDE BKT(L)	1		
	39	QYSBSF2608Z	T.SCREW	1		
	40	QYSDST2606Z	SCREW	2		
	41	LV32067-001A	FLAP BASE UNIT	1		
	42	LV20590-002A	TRAY UNIT	3		
	43	LV10309-001A	TOP COVER	1		
	44	QYSBSF2608Z	T.SCREW	4		
	45	LV41429-002A	ROD	2		
	46	QYSDST2606Z	SCREW	5		
	47	LV42703-001A	SCREW SHAFT	1		
	48	QYSBSF2608Z	T.SCREW	1		

CD-R/RW loading mechanism assembly and parts list

Block No. M R M M



Grease
 ★ =EM-30L
 ▲ =CFD-4007ZYZ



■ Parts list (CD-R/RW loading mechanism)

Block No. MRMM

△	Item	Parts number	Parts name	Q'ty	Description	Area
	1	LV10454-007A	LOADING BASE	1		
	2	QAR0164-001	MOTOR	1	MABUCHI	
	3	LV42087-001A	MOTOR PULLEY	1		
	4	QYSPSPU1730Z	SCREW	1	FOR MOTOR	
	5	VKZ4777-003	MINI SCREW	1		
	6	LV42209-001A	BELT	1		
	7	LV42084-002A	PULLEYGEAR	1		
	8	LV42085-002A	MIDDLE GEAR	1		
	9	LV42086-001A	IDLE GEAR	1		
	10	LV32514-002A	SLIDE CAM	1		
	11	LV42348-001A	P GEAR BKT	1		
	12	VKZ4777-003	MINI SCREW	1	FOR PULLEY GEAR	
	13	LV20912-002A	ELEVATOR	1		
	14	QUQ110-0606AJ	FLAT WIRE	1		
	15	-----	CD-R/RW TRAVERS	1		
	16	LV41424-001A	SPECIAL SCREW	4		
	17	LV32417-001A	CLAMPER	1		
	18	LV42089-001A	YOKE	1		
	19	LV41118-003A	MAGNET	1		
	20	LV41741-001A	SPECIAL SCREW	1		
	21	LV20913-002A	CLAMPER BASE	1		
	22	QYSBSF2008Z	TAPPING SCREW	4		

■ Electrical parts list (Main board)

Block No. 01

△	Item	Parts number	Parts name	Remarks	Area
	C 1	NCB31CK-223X	C CAPACITOR		
	C 2	NCB31CK-103X	C CAPACITOR		
	C 3	QETN1HM-106Z	E CAPACITOR	10MF 20% 50V	
	C 4	NCB31CK-103X	C CAPACITOR		
	C 6	NCB31HK-102X	C CAPACITOR		
	C 7	NCB31HK-102X	C CAPACITOR		
	C 8	NCB31HK-102X	C CAPACITOR		
	C 9	NCB31HK-102X	C CAPACITOR		
	C 10	NCS31HJ-120X	C.CAPA. C.M		
	C 11	NCB31CK-104X	C CAPACITOR		
	C 12	NCB31CK-473X	C CAPACITOR		
	C 13	NCS31HJ-120X	C.CAPA. C.M		
	C 14	QEK1CM-107Z	E.CAPACITOR	100MF 20% 16V	
	C 15	NCS31HJ-120X	C.CAPA. C.M		
	C 16	NCS31HJ-120X	C.CAPA. C.M		
	C 17	NCB31HK-392X	C CAPACITOR		
	C 18	QE061HM-474Z	N.P.E.CAPA. I.M	.47MF 20% 50V	
	C 19	NCB31CK-473X	C CAPACITOR		
	C 20	NCB31HK-102X	C CAPACITOR		
	C 21	NCB31CK-223X	C CAPACITOR		
	C 22	NCS31HJ-151X	C CAPACITOR		
	C 23	NCS31HJ-151X	C CAPACITOR		
	C 24	NCS31HJ-151X	C CAPACITOR		
	C 25	QEK1CM-107Z	E.CAPACITOR	100MF 20% 16V	
	C 30	QEK1CM-107Z	E.CAPACITOR	100MF 20% 16V	
	C 31	QEK1CM-226Z	E CAPACITOR	22MF 20% 16V	
	C 32	NCB31CK-473X	C CAPACITOR		
	C 33	NCB31CK-473X	C CAPACITOR		
	C 34	NCB31CK-223X	C CAPACITOR		
	C 35	NCB31CK-473X	C CAPACITOR		
	C 36	QEK1HM-105Z	E.CAPACITOR	1.0MF 20% 50V	
	C 37	QEK1HM-105Z	E.CAPACITOR	1.0MF 20% 50V	
	C 38	QEK1HM-224Z	E CAPACITOR	.22MF 20% 50V	
	C 39	QEK1HM-105Z	E.CAPACITOR	1.0MF 20% 50V	
	C 40	QEK1CM-106Z	E CAPACITOR	10MF 20% 16V	
	C 41	QEK1CM-106Z	E CAPACITOR	10MF 20% 16V	
	C 42	NCB31HK-182X	C CAPACITOR		
	C 43	NCB31HK-182X	C CAPACITOR		
	C 44	QEK1CM-106Z	E CAPACITOR	10MF 20% 16V	
	C 45	QEK1CM-106Z	E CAPACITOR	10MF 20% 16V	
	C 46	NCB31CK-223X	C CAPACITOR		
	C 47	QEK1HM-105Z	E.CAPACITOR	1.0MF 20% 50V	
	C 48	NCB31HK-222X	C CAPACITOR		
	C 49	NCS31HJ-471X	C CAPACITOR		
	C 50	QEK1CM-226Z	E CAPACITOR	22MF 20% 16V	
	C 51	QEK1HM-105Z	E.CAPACITOR	1.0MF 20% 50V	
	C 52	QFVF1HJ-274Z	MF CAPACITOR	.27MF 5% 50V	
	C 53	QETN1HM-226Z	E CAPACITOR	22MF 20% 50V	
	C 54	NCB31CK-473X	C CAPACITOR		
	C 55	NCS31HJ-330X	C CAPACITOR		
	C 56	NCS31HJ-100X	C CAPACITOR		
	C 57	NCB31HK-102X	C CAPACITOR		
	C 58	NCB31CK-473X	C CAPACITOR		
	C 59	NCB31HK-102X	C CAPACITOR		
	C 70	NCS31HJ-220X	C CAPACITOR		
	C 71	NCS31HJ-220X	C CAPACITOR		
	C 72	NCB31HK-561X	C CAPACITOR		
	C 73	NCB31CK-104X	C CAPACITOR		
	C 74	NCB31CK-104X	C CAPACITOR		
	C 75	QEK1CM-106Z	E CAPACITOR	10MF 20% 16V	
	C 76	NCB31HK-331X	C CAPACITOR		
	CF 1	QAX0420-001	C FILTER		
	CF 2	QAX0458-001Z	C FILTER		

△	Item	Parts number	Parts name	Remarks	Area
	CF 3	QAX0610-001Z	C DISCRIMINATOR		
	CN581	QGF1205F1-05	CONNECTOR	TO MAIN	
	CN582	QGA2001F1-02	2P CONNECTOR	TO MOVING MOTOR	
	CN701	QGB2510J1-15	CONNECTOR	TO POWER-AMP	
	CN702	QGB2510J1-14	CONNECTOR	TO REG	
	CN703	QGB2510J1-09	CONNECTOR	TO REAR	
	CN704	QGF1036C1-11	CONNECTOR	TO FL	
	CN705	QGF1205F1-05	CONNECTOR	TO PANEL SW	
	CN706	QGF1016F3-04	CONNECTOR	TO CDR	
	CN707	QGF1205F1-15	CONNECTOR	TO CONNECT	
	CN708	QGF1036F1-13	13P PLUG ASSY	TO KEY	
	CN709	QGF1205F1-17	CONNECTOR	TO CONNECT	
	CN710	QGB1214J1-12S	CONNECTOR	TO TUNER-I/O	
	CN711	QGB1214J1-10S	CONNECTOR	TO TUNER-I/O	
	CN712	QGF1036C1-15	FFC CONNECTOR	TO FL	
	CN801	QGB1214K1-12S	CONNECTOR		
	CN802	QGA2501F1-04	CONNECTOR		
	CN803	QGB1214K1-10S	CONNECTOR		
	CN851	QGF1036F1-11	CONNECTOR		
	CN852	QGF1036F1-15	15FFC CONNECTOR		
	C3122	QTE1H28-106Z	E CAPACITOR		
	C3142	QEK1CM-106Z	E CAPACITOR	10MF 20% 16V	
	C3143	QTE1H28-106Z	E CAPACITOR		
	C3144	QETN1HM-106Z	E CAPACITOR	10MF 20% 50V	
	C3145	QETN1HM-105Z	E CAPACITOR	1.0MF 20% 50V	
	C3146	QFVF1HJ-124Z	MF CAPACITOR	.12MF 5% 50V	
	C3147	QFVF1HJ-124Z	MF CAPACITOR	.12MF 5% 50V	
	C3148	QFLC1HJ-183Z	TF CAPACITOR	.018MF 5% 50V	
	C3149	QFLC1HJ-223Z	M CAPACITOR	.022MF 5% 50V	
	C3150	QFLC1HJ-562Z	M CAPACITOR	5600PF 5% 50V	
	C3151	QETN1HM-106Z	E CAPACITOR	10MF 20% 50V	
	C3154	NCB31HK-102X	C CAPACITOR		
	C3156	QTE1H28-105Z	E CAPACITOR		
	C3161	QFP32AJ-222Z	PP CAPACITOR	2200PF 5% 100V	
	C3163	QFLC1HJ-563Z	TF CAPACITOR	.056MF 5% 50V	
	C3164	QFLC1HJ-563Z	TF CAPACITOR	.056MF 5% 50V	
	C3166	QTE1V06-106Z	E CAPACITOR		
	C3182	QETN1HM-475Z	E CAPACITOR	4.7MF 20% 50V	
	C3183	NCS31HJ-220X	C CAPACITOR		
	C3184	QEK1HM-226Z	E.CAPACITOR	22MF 20% 50V	
	C3222	QTE1H28-106Z	E CAPACITOR		
	C3242	QEK1CM-106Z	E CAPACITOR	10MF 20% 16V	
	C3243	QTE1H28-106Z	E CAPACITOR		
	C3244	QETN1HM-106Z	E CAPACITOR	10MF 20% 50V	
	C3245	QETN1HM-105Z	E CAPACITOR	1.0MF 20% 50V	
	C3246	QFVF1HJ-124Z	MF CAPACITOR	.12MF 5% 50V	
	C3247	QFVF1HJ-124Z	MF CAPACITOR	.12MF 5% 50V	
	C3248	QFLC1HJ-183Z	TF CAPACITOR	.018MF 5% 50V	
	C3249	QFLC1HJ-223Z	M CAPACITOR	.022MF 5% 50V	
	C3250	QFLC1HJ-562Z	M CAPACITOR	5600PF 5% 50V	
	C3251	QETN1HM-106Z	E CAPACITOR	10MF 20% 50V	
	C3254	NCB31HK-102X	C CAPACITOR		
	C3256	QTE1H28-105Z	E CAPACITOR		
	C3261	QFP32AJ-222Z	PP CAPACITOR	2200PF 5% 100V	
	C3263	QFLC1HJ-563Z	TF CAPACITOR	.056MF 5% 50V	
	C3264	QFLC1HJ-563Z	TF CAPACITOR	.056MF 5% 50V	
	C3266	QTE1V06-106Z	E CAPACITOR		
	C3282	QETN1HM-475Z	E CAPACITOR	4.7MF 20% 50V	
	C3283	NCS31HJ-220X	C CAPACITOR		
	C3284	QEK1HM-226Z	E.CAPACITOR	22MF 20% 50V	
	C3381	QEK1HM-105Z	E.CAPACITOR	1.0MF 20% 50V	
	C3941	QTE1E28-106Z	E CAPACITOR		
	C3942	QTE1C28-107Z	E CAPACITOR		

■ Electrical parts list (Main board)

Block No. 01

▲	Item	Parts number	Parts name	Remarks	Area
	C3943	NCB31HK-103X	C CAPACITOR		
	C3946	QETN1HM-226Z	E CAPACITOR	22MF 20% 50V	
	C3961	QTE1C28-107Z	E CAPACITOR		
	C3962	QTE1C28-226Z	E CAPACITOR		
	C3981	QTE1C28-107Z	E CAPACITOR		
	C3982	QTE1C28-226Z	E CAPACITOR		
	C7001	QETN1CM-107Z	E CAPACITOR	100MF 20% 16V	
	C7002	QETN0JM-108Z	E CAPACITOR	1000MF 20% 6.3V	
	C7005	NCS31HJ-220X	C CAPACITOR	32KHZ	
	C7006	NCS31HJ-220X	C CAPACITOR	32KHZ	
	C7007	NCB31HK-103X	C CAPACITOR		
	C7008	QCFB1HZ-105Y	ML C CAPA I/M	1.0MF +80:-20%	
	C7009	QETN1CM-107Z	E CAPACITOR	100MF 20% 16V	
	C7010	QETN1EM-226Z	E CAPACITOR	22MF 20% 25V	
	C7201	QETM1EM-108	E CAPACITOR	1000MF 20% 25V	
	C7202	QFLC1HJ-104Z	M CAPACITOR	.10MF 5% 50V	
	C7203	QETN1EM-476Z	E CAPACITOR	47MF 20% 25V	
	C7204	QETN1HM-225Z	E CAPACITOR	2.2MF 20% 50V	
	C7205	QETN1HM-106Z	E CAPACITOR	10MF 20% 50V	
	C7206	QFLC1HJ-104Z	M CAPACITOR	.10MF 5% 50V	
	C7207	QETN1EM-476Z	E CAPACITOR	47MF 20% 25V	
	C7208	NCB31HK-103X	C CAPACITOR		
	C7301	NCB31CK-104X	C CAPACITOR		
	C7302	NCS31HJ-100X	C CAPACITOR		
	C7601	NCB31HK-102X	C CAPACITOR		
	C7602	NCB31CK-473X	C CAPACITOR		
	C7605	QETN0JM-227Z	E CAPACITOR	220MF 20% 6.3V	
	C7801	QETN1CM-107Z	E CAPACITOR	100MF 20% 16V	
	C7802	QETN1HM-106Z	E CAPACITOR	10MF 20% 50V	
	C7901	QETM1EM-688	E CAPACITOR	6800MF 20% 25V	
	C7902	QETM1VM-478	E.CAPACITOR	4700MF 20% 35V	
	C7903	QETM1VM-478	E.CAPACITOR	4700MF 20% 35V	
	C8101	NCS31HJ-101X	C.CAPA. C.M		
	C8103	NCS31HJ-101X	C.CAPA. C.M		
	C8104	NCB31HK-562X	C CAPACITOR		
	C8105	QETN1HM-106Z	E CAPACITOR	10MF 20% 50V	
	C8201	NCS31HJ-101X	C.CAPA. C.M		
	C8203	NCS31HJ-101X	C.CAPA. C.M		
	C8204	NCB31HK-562X	C CAPACITOR		
	C8205	QETN1HM-106Z	E CAPACITOR	10MF 20% 50V	
	C8401	NCB31HK-103X	C CAPACITOR		
	C8402	QEK1CM-476Z	E.CAPACITOR	47MF 20% 16V	
	C8404	QEK1CM-106Z	E CAPACITOR	10MF 20% 16V	
	C8405	QEK1CM-476Z	E.CAPACITOR	47MF 20% 16V	
	C8406	QETN1EM-476Z	E CAPACITOR	47MF 20% 25V	
	C8407	NCB31HK-103X	C CAPACITOR		
	C8408	NCB31HK-103X	C CAPACITOR		
	C8409	NCS31HJ-6R0X	C CAPACITOR		
	C8410	NCB31HK-103X	C CAPACITOR		
	C8444	NCB31HK-103X	C CAPACITOR		
	C8446	NCB31HK-103X	C CAPACITOR		
	C8501	QEK0JM-226Z	E CAPACITOR	22MF 20% 6.3V	
	C8502	QFVF1HJ-104Z	MF CAPACITOR	.10MF 5% 50V	
	C8503	NCS31HJ-101X	C.CAPA. C.M		
	C8504	QEK1CM-107Z	E.CAPACITOR	100MF 20% 16V	
	C8505	NCB31HK-102X	C CAPACITOR		
	C8506	QEK1HM-105Z	E.CAPACITOR	1.0MF 20% 50V	
	C8507	NCB31HK-102X	C CAPACITOR		
	C8508	NCB31HK-102X	C CAPACITOR		
	C8509	NCB31HK-102X	C CAPACITOR		
	C8510	NCB31HK-102X	C CAPACITOR		
	C8511	QEK1HM-105Z	E.CAPACITOR	1.0MF 20% 50V	
	C8512	QEK1HM-105Z	E.CAPACITOR	1.0MF 20% 50V	

▲	Item	Parts number	Parts name	Remarks	Area
	C8513	NCB31HK-561X	C CAPACITOR		
	C8514	NCB31HK-561X	C CAPACITOR		
	C8515	NCB31HK-561X	C CAPACITOR		
	C8516	NCS31HJ-221X	C.CAPA. C.M		
	C8517	NCS31HJ-221X	C.CAPA. C.M		
	C8518	NCS31HJ-221X	C.CAPA. C.M		
	C8519	NCS31HJ-221X	C.CAPA. C.M		
	C8520	NCS31HJ-221X	C.CAPA. C.M		
	C8521	NCS31HJ-221X	C.CAPA. C.M		
	C8522	NCS31HJ-221X	C.CAPA. C.M		
	C8523	NCS31HJ-221X	C.CAPA. C.M		
	C8524	NCS31HJ-221X	C.CAPA. C.M		
	C8525	NCS31HJ-221X	C.CAPA. C.M		
	C8526	NCS31HJ-221X	C.CAPA. C.M		
	C8527	NCB31HK-561X	C CAPACITOR		
	C8528	NCB31HK-561X	C CAPACITOR		
	D 1	1SS133-T2	SI DIODE IM		
	D 2	1SS133-T2	SI DIODE IM		
	D 3	1SS133-T2	SI DIODE IM		
	D 4	1SS133-T2	SI DIODE IM		
	D1851	QLF0092-001	FL TUBE		
	D3181	1SS133-T2	SI DIODE IM	DETECTOR	
	D3182	1SS133-T2	SI DIODE IM	DETECTOR	
	D3281	1SS133-T2	SI DIODE IM	DETECTOR	
	D3282	1SS133-T2	SI DIODE IM	DETECTOR	
	D3941	MTZJ11A-T2	ZENER DIODE	VOL	
	D3942	MTZJ10C-T2	Z.DIODE I.M		
	D3961	MTZJ6.8A-T2	ZENER DIODE	AHB/BPF	
	D3981	MTZJ6.8A-T2	ZENER DIODE	DETECTOR	
	D7001	1SS133-T2	SI DIODE IM		
	D7002	1SS133-T2	SI DIODE IM		
	D7003	1SS133-T2	SI DIODE IM		
	D7201	1N4003S-T5	SI DIODE		
	D7202	MTZJ6.8A-T2	ZENER DIODE	US6V	
	D7204	1SS133-T2	SI DIODE IM	INH/RESET	
	D7205	MTZJ5.1C-T2	ZENER DIODE	INH/RESET	
	D7206	1SS133-T2	SI DIODE IM	INH/RESET	
	D7207	MTZJ6.8A-T2	ZENER DIODE	FL6V	
	D7208	1N4003S-T5	SI DIODE		
	D7209	1N4003S-T5	SI DIODE		
	D8401	MTZJ10C-T2	Z.DIODE I.M		
	D8402	MTZJ3.9B-T2	ZENER DIODE		
	D8403	1SS133-T2	SI DIODE IM		
	D8404	1SS133-T2	SI DIODE IM		
	D8405	MTZJ9.1A-T2	ZENER DIODE		
	D8501	SPR-39MVWF	LED		
	D8503	1SS133-T2	SI DIODE IM		
	D8504	1SS133-T2	SI DIODE IM		
	D8505	1SS133-T2	SI DIODE IM		
	EP701	QNZ0136-001Z	EARTH PLATE		
	FW702	QUM026-20Z3Z3	PARA RIBON WIRE	IN MICON	
	IC 1	LA1838	IC		
	IC 2	LC72136N	IC		
	IC 3	LC72723	IC(RDS)		
	IC301	NJM4580D	IC	AHB/BPF(CDR7)	
	IC302	NJM4580D	IC	DETECTOR(CDR7)	
	IC303	TDA7439	IC	VOL/EQ	
	IC304	BU4066BCF-X	IC	SELECTOR-L	
	IC305	BU4066BCF-X	IC	SELECTOR-R	
	IC701	UPD784216AGF517	IC	SYSTEM MICON	
▲	IC702	KIA78S06P-T	IC	US6V	
▲	IC703	KIA78S06P-T	IC	FL6V	
	IC704	TA8409S	IC	MOT DRIVER	

■ Electrical parts list (Main board)

Block No. 01

△	Item	Parts number	Parts name	Remarks	Area
	IC705	TC74HCT04AF-X	IC	VOL BUFF	
	IC851	GP1U261X	IR DETECT UNIT		
	IC852	M66004FP-X	IC		
	J 1	QNB0014-001	ANT TERMINAL		
	J8001	QNN0018-002	PIN JACK	4PIN	
	J8002	GP1FA550RZ	OPT RECEIVER		
	J8003	GP1FA550TZ	OPT TRANSMITTER	(F5WMD NO USE)	
	K7801	QQR1183-001Z	F.BEADS I.M	MOT. DRIVER	
	K7802	QQR1183-001Z	F.BEADS I.M	MOT. DRIVER	
	K8401	QQR1183-001Z	F.BEADS I.M		
	K8402	QQR1183-001Z	F.BEADS I.M		
	L 1	QQR1094-001	COIL BLOCK		
	L 2	QQL231K-330Y	INDUCTOR		
	L 3	QQL231K-4R7Y	INDUCTOR		
	L 70	QQL231K-101Y	INDUCTOR		
	LF810	QQR0590-001	FILTER		
	LF820	QQR0590-001	FILTER		
	Q 1	2SC2814/4-5/-X	TRANSISTOR		
	Q 2	2SC1623/5-6/-X	TRANSISTOR		
	Q 3	2SC1623/5-6/-X	TRANSISTOR		
	Q 4	DTA114YKA-X	TRANSISTOR		
	Q 5	DTA114YKA-X	TRANSISTOR		
	Q3161	2SC3576-JVC-T	TRANSISTOR I/M	AHB(CDR7)	
	Q3162	2SC3576-JVC-T	TRANSISTOR I/M	AHB(CDR7)	
	Q3261	2SC3576-JVC-T	TRANSISTOR I/M	AHB(CDR7)	
	Q3262	2SC3576-JVC-T	TRANSISTOR I/M	AHB(CDR7)	
	Q7201	KTA1271/OY/-T	TRANSISTOR	US6V	
	Q7202	KTA1271/OY/-T	TRANSISTOR	US6V	
	Q7203	DTC114YKA-X	CHIP D.TRANSIST	INH/RESET	
	Q7204	DTC114YKA-X	CHIP D.TRANSIST	INH/RESET	
	Q7205	DTC114YKA-X	CHIP D.TRANSIST	INH/RESET	
	Q7206	DTC114YKA-X	CHIP D.TRANSIST	INH/RESET	
	Q7207	KTA1271/OY/-T	TRANSISTOR	FL6V	
	Q7208	KTC3199/GL/-T	TRANSISTOR	FL6V	
	Q7401	DTC144EKA-X	TRANSISTOR		
	Q7402	DTC144EKA-X	TRANSISTOR		
	Q7403	DTC144EKA-X	TRANSISTOR		
	Q7404	2SC2412K/RS/-X	CHIP TRANSISTOR	MANUAL RESET	
	Q7405	2SC2412K/RS/-X	CHIP TRANSISTOR	MANUAL RESET	
	Q7406	2SC2412K/RS/-X	CHIP TRANSISTOR	LED CTL	
	Q7408	2SC2412K/RS/-X	CHIP TRANSISTOR	LED CTL	
	Q7409	KTC3199/GL/-T	TRANSISTOR	POUT2	
	Q7410	DTA144EKA-X	TRANSISTOR		
	Q7411	DTA144EKA-X	TRANSISTOR		
	Q7412	DTA144EKA-X	TRANSISTOR		
	Q8101	2SC3576-JVC-T	TRANSISTOR I/M		
	Q8201	2SC3576-JVC-T	TRANSISTOR I/M		
	Q8301	KRA102M-T	D.TRANSISTOR		
	Q8401	KTC3203/OY/-T	TRANSISTOR		
	Q8402	KRA102M-T	D.TRANSISTOR		
	Q8403	KRC102M-T	D.TRANSISTOR		
	Q8404	KTA1267/YG/-T	TRANSISTOR		
	Q8405	KTC3199/GL/-T	TRANSISTOR		
	Q8501	DTC114TKA-X	TRANSISTOR		
	Q8503	2SC2412K/RS/-X	CHIP TRANSISTOR		
	Q8504	2SC2412K/RS/-X	CHIP TRANSISTOR		
	R 2	NRSA63J-331X	MG RESISTOR		
	R 3	NRSA63J-224X	MG RESISTOR		
	R 4	NRSA63J-331X	MG RESISTOR		
	R 5	NRSA63J-120X	MG RESISTOR		
	R 6	NRSA63J-120X	MG RESISTOR		
	R 10	NRSA63J-222X	MG RESISTOR		
	R 11	NRSA63J-472X	MG RESISTOR		

△	Item	Parts number	Parts name	Remarks	Area
	R 12	NRSA63J-472X	MG RESISTOR		
	R 13	NRSA63J-103X	MG RESISTOR		
	R 14	NRSA63J-104X	MG RESISTOR		
	R 15	NRSA63J-332X	MG RESISTOR		
	R 16	NRSA63J-472X	MG RESISTOR		
	R 17	QRZ9005-680X	F.RES I/M	68 1/4W	
	R 18	NRSA63J-102X	MG RESISTOR		
	R 19	NRSA63J-102X	MG RESISTOR		
	R 20	NRSA63J-102X	MG RESISTOR		
	R 21	NRSA63J-562X	MG RESISTOR		
	R 22	NRSA63J-472X	MG RESISTOR		
	R 23	NRSA63J-182X	MG RESISTOR		
	R 24	NRSA63J-103X	MG RESISTOR		
	R 25	NRSA63J-331X	MG RESISTOR		
	R 26	NRSA63J-222X	MG RESISTOR		
	R 27	NRSA63J-103X	MG RESISTOR		
	R 28	NRSA63J-103X	MG RESISTOR		
	R 29	NRSA63J-103X	MG RESISTOR		
	R 30	NRSA63J-122X	MG RESISTOR		
	R 31	NRSA63J-102X	MG RESISTOR		
	R 32	NRSA63J-102X	MG RESISTOR		
	R 33	NRSA63J-331X	MG RESISTOR		
	R 34	NRSA63J-470X	MG RESISTOR		
	R 35	NRSA63J-562X	MG RESISTOR		
	R 36	NRSA63J-332X	MG RESISTOR		
	R 37	NRSA63J-103X	MG RESISTOR		
	R 38	NRSA63J-393X	MG RESISTOR		
	R 39	NRSA63J-393X	MG RESISTOR		
	R 40	NRSA63J-393X	MG RESISTOR		
	R 41	NRSA63J-332X	MG RESISTOR		
	R 60	NRSA63J-0R0X	MG RESISTOR		
	R 70	NRSA63J-103X	MG RESISTOR		
	R 71	NRSA63J-102X	MG RESISTOR		
	R 72	NRSA63J-102X	MG RESISTOR		
	R 73	NRSA63J-102X	MG RESISTOR		
	R3124	NRSA63J-102X	MG RESISTOR		
	R3141	NRSA63J-562X	MG RESISTOR		
	R3142	NRSA63J-272X	MG RESISTOR		
	R3143	NRSA63J-473X	MG RESISTOR		
	R3144	NRSA63J-473X	MG RESISTOR		
	R3147	NRSA63J-473X	MG RESISTOR		
	R3148	NRSA63J-473X	MG RESISTOR		
	R3161	NRSA63J-332X	MG RESISTOR		
	R3162	NRSA63J-182X	MG RESISTOR		
	R3163	NRSA63J-103X	MG RESISTOR		
	R3164	NRSA63J-0R0X	MG RESISTOR		
	R3165	NRSA63J-561X	MG RESISTOR		
	R3166	NRSA63J-223X	MG RESISTOR		
	R3167	NRSA63J-622X	MG RESISTOR		
	R3168	NRSA63J-472X	MG RESISTOR		
	R3169	NRSA63J-224X	MG RESISTOR		
	R3170	NRSA63J-304X	MG RESISTOR		
	R3182	NRSA63J-473X	MG RESISTOR		
	R3183	NRSA63J-473X	MG RESISTOR		
	R3184	NRSA63J-473X	MG RESISTOR		
	R3185	NRSA63J-473X	MG RESISTOR		
	R3224	NRSA63J-102X	MG RESISTOR		
	R3241	NRSA63J-562X	MG RESISTOR		
	R3242	NRSA63J-272X	MG RESISTOR		
	R3243	NRSA63J-473X	MG RESISTOR		
	R3244	NRSA63J-473X	MG RESISTOR		
	R3247	NRSA63J-473X	MG RESISTOR		
	R3248	NRSA63J-473X	MG RESISTOR		

■ Electrical parts list (Main board)

Block No. 01

△	Item	Parts number	Parts name	Remarks	Area
	R3261	NRSA63J-332X	MG RESISTOR		
	R3262	NRSA63J-182X	MG RESISTOR		
	R3263	NRSA63J-103X	MG RESISTOR		
	R3264	NRSA63J-0R0X	MG RESISTOR		
	R3265	NRSA63J-561X	MG RESISTOR		
	R3266	NRSA63J-223X	MG RESISTOR		
	R3267	NRSA63J-622X	MG RESISTOR		
	R3268	NRSA63J-472X	MG RESISTOR		
	R3269	NRSA63J-224X	MG RESISTOR		
	R3270	NRSA63J-304X	MG RESISTOR		
	R3282	NRSA63J-473X	MG RESISTOR		
	R3283	NRSA63J-473X	MG RESISTOR		
	R3284	NRSA63J-473X	MG RESISTOR		
	R3285	NRSA63J-473X	MG RESISTOR		
	R3381	NRSA63J-104X	MG RESISTOR		
	R3382	NRSA63J-682X	MG RESISTOR		
	R3941	QRJ146J-221X	UNF C.RES 1/M	220 5% 1/4W	
	R3942	NRSA63J-224X	MG RESISTOR		
	R3944	QRE141J-331Y	C RESISTOR	330 5% 1/4W	
	R3961	NRSA63J-221X	MG RESISTOR		
	R3962	NRSA63J-222X	MG RESISTOR		
	R3981	NRSA63J-221X	MG RESISTOR		
	R3982	NRSA63J-222X	MG RESISTOR		
	R7001	NRSA63J-473X	MG RESISTOR		
	R7002	QRE141J-470Y	C RESISTOR	47 5% 1/4W	
	R7003	NRSA63J-105X	MG RESISTOR		
△	R7201	QRZ9006-4R7X	F RESISTOR	4.7 1/4W	
	R7202	NRSA63J-102X	MG RESISTOR		
	R7203	NRSA63J-272X	MG RESISTOR		
	R7204	NRSA63J-102X	MG RESISTOR		
	R7205	NRSA63J-103X	MG RESISTOR		
	R7206	NRSA63J-103X	MG RESISTOR		
	R7207	NRSA63J-102X	MG RESISTOR		
	R7208	NRSA63J-104X	MG RESISTOR		
	R7209	NRSA63J-473X	MG RESISTOR		
	R7210	NRSA63J-472X	MG RESISTOR		
	R7211	NRSA63J-472X	MG RESISTOR		
	R7301	NRSA63J-101X	MG RESISTOR		
	R7302	NRSA63J-332X	MG RESISTOR		
	R7303	NRSA63J-682X	MG RESISTOR		
	R7401	NRSA63J-473X	MG RESISTOR		
	R7402	NRSA63J-473X	MG RESISTOR		
	R7403	NRSA63J-473X	MG RESISTOR		
	R7404	NRSA63J-104X	MG RESISTOR		
	R7405	NRSA63J-103X	MG RESISTOR		
	R7406	NRSA63J-102X	MG RESISTOR		
	R7407	NRSA63J-104X	MG RESISTOR		
	R7408	NRSA63J-472X	MG RESISTOR		
	R7409	NRSA63J-473X	MG RESISTOR		
	R7601	NRSA63J-473X	MG RESISTOR		
	R7649	NRSA63J-103X	MG RESISTOR		
	R7653	NRSA63J-103X	MG RESISTOR		
	R7654	NRSA63J-103X	MG RESISTOR		
	R7655	NRSA63J-103X	MG RESISTOR		
	R7656	NRSA63J-103X	MG RESISTOR		
	R7657	NRSA63J-103X	MG RESISTOR		
	R7659	NRSA63J-103X	MG RESISTOR		
	R7660	NRSA63J-103X	MG RESISTOR		
	R7662	NRSA63J-103X	MG RESISTOR		
	R7663	NRSA63J-103X	MG RESISTOR		
	R7693	NRSA63J-103X	MG RESISTOR		
	R7694	NRSA63J-103X	MG RESISTOR		
	R7701	NRSA63J-102X	MG RESISTOR		

△	Item	Parts number	Parts name	Remarks	Area
	R7702	NRSA63J-102X	MG RESISTOR		
	R7703	NRSA63J-102X	MG RESISTOR		
	R7704	NRSA63J-102X	MG RESISTOR		
	R7705	NRSA63J-471X	MG RESISTOR		
	R7706	NRSA63J-102X	MG RESISTOR		
	R7707	NRSA63J-102X	MG RESISTOR		
	R7708	NRSA63J-102X	MG RESISTOR		
	R7710	NRSA63J-102X	MG RESISTOR		
	R7711	NRSA63J-102X	MG RESISTOR		
	R7712	NRSA63J-102X	MG RESISTOR		
	R7713	NRSA63J-102X	MG RESISTOR		
	R7714	NRSA63J-102X	MG RESISTOR		
	R7715	NRSA63J-103X	MG RESISTOR		
	R7716	NRSA63J-103X	MG RESISTOR		
	R7721	NRSA63J-103X	MG RESISTOR		
	R7722	NRSA63J-103X	MG RESISTOR		
	R7723	NRSA63J-103X	MG RESISTOR		
	R7734	NRSA63J-103X	MG RESISTOR		
	R7735	NRSA63J-102X	MG RESISTOR		
	R7736	NRSA63J-102X	MG RESISTOR		
	R7743	NRSA63J-102X	MG RESISTOR		
	R7744	NRSA63J-102X	MG RESISTOR		
	R7745	NRSA63J-102X	MG RESISTOR		
	R7746	NRSA63J-102X	MG RESISTOR		
	R7747	NRSA63J-102X	MG RESISTOR		
	R7748	NRSA63J-102X	MG RESISTOR		
	R7749	NRSA63J-102X	MG RESISTOR		
	R7753	NRSA63J-102X	MG RESISTOR		
	R7754	NRSA63J-102X	MG RESISTOR		
	R7755	NRSA63J-102X	MG RESISTOR		
	R7756	NRSA63J-102X	MG RESISTOR		
	R7757	NRSA63J-102X	MG RESISTOR		
	R7758	NRSA63J-102X	MG RESISTOR		
	R7759	NRSA63J-102X	MG RESISTOR		
	R7760	NRSA63J-102X	MG RESISTOR		
	R7762	NRSA63J-102X	MG RESISTOR		
	R7763	NRSA63J-102X	MG RESISTOR		
	R7765	NRSA63J-102X	MG RESISTOR		
	R7766	NRSA63J-102X	MG RESISTOR		
	R7767	NRSA63J-102X	MG RESISTOR		
	R7768	NRSA63J-102X	MG RESISTOR		
	R7769	NRSA63J-102X	MG RESISTOR		
	R7771	NRSA63J-102X	MG RESISTOR		
	R7773	NRSA63J-102X	MG RESISTOR		
	R7775	NRSA63J-102X	MG RESISTOR		
	R7776	NRSA63J-102X	MG RESISTOR		
	R7777	NRSA63J-102X	MG RESISTOR		
	R7778	NRSA63J-102X	MG RESISTOR		
	R7779	NRSA63J-102X	MG RESISTOR		
	R7780	NRSA63J-102X	MG RESISTOR		
	R7781	NRSA63J-102X	MG RESISTOR		
	R7782	NRSA63J-102X	MG RESISTOR		
	R7783	NRSA63J-102X	MG RESISTOR		
	R7784	NRSA63J-102X	MG RESISTOR		
	R7785	NRSA63J-102X	MG RESISTOR		
	R7786	NRSA63J-101X	MG RESISTOR		
	R7787	NRSA63J-102X	MG RESISTOR		
	R7788	NRSA63J-102X	MG RESISTOR		
	R7789	NRSA63J-102X	MG RESISTOR		
	R7790	NRSA63J-103X	MG RESISTOR		
	R7793	NRSA63J-102X	MG RESISTOR		
	R7794	NRSA63J-102X	MG RESISTOR		
	R7796	NRSA63J-102X	MG RESISTOR		

■ Electrical parts list (Main board)

Block No. 01

△	Item	Parts number	Parts name	Remarks	Area
	R7797	NRSA63J-102X	MG RESISTOR		
	R7799	NRSA63J-103X	MG RESISTOR		
△	R7801	QRJ146J-181X	UNF C.RES I/M	180 5% 1/4W	
	R7802	NRSA63J-183X	MG RESISTOR		
	R7803	NRSA63J-473X	MG RESISTOR		
	R7804	NRSA63J-120X	MG RESISTOR		
	R7805	NRSA63J-120X	MG RESISTOR		
	R7806	NRSA63J-120X	MG RESISTOR		
	R7807	NRSA63J-120X	MG RESISTOR		
	R8101	NRSA63J-223X	MG RESISTOR		
	R8102	NRSA63J-333X	MG RESISTOR		
	R8105	NRSA63J-472X	MG RESISTOR		
	R8106	NRSA63J-181X	MG RESISTOR		
	R8107	NRSA63J-392X	MG RESISTOR		
	R8108	NRSA63J-332X	MG RESISTOR		
	R8110	NRSA63J-201X	MG RESISTOR		
	R8111	NRSA63J-431X	MG RESISTOR		
	R8112	NRSA63J-432X	MG RESISTOR		
	R8201	NRSA63J-223X	MG RESISTOR		
	R8202	NRSA63J-333X	MG RESISTOR		
	R8205	NRSA63J-472X	MG RESISTOR		
	R8206	NRSA63J-181X	MG RESISTOR		
	R8207	NRSA63J-392X	MG RESISTOR		
	R8208	NRSA63J-332X	MG RESISTOR		
	R8210	NRSA63J-201X	MG RESISTOR		
	R8211	NRSA63J-431X	MG RESISTOR		
	R8212	NRSA63J-432X	MG RESISTOR		
△	R8401	QRZ9005-220X	F.RES I/M	22 1/4W	
	R8402	NRSA63J-271X	MG RESISTOR		
	R8403	NRSA63J-390X	MG RESISTOR		
	R8404	NRSA63J-102X	MG RESISTOR		
	R8405	NRSA63J-103X	MG RESISTOR		
	R8410	NRSA63J-471X	MG RESISTOR		
	R8501	NRSA63J-202X	MG RESISTOR		
	R8502	NRSA63J-122X	MG RESISTOR		
	R8504	NRSA63J-331X	MG RESISTOR		
	R8505	NRSA63J-331X	MG RESISTOR		
	R8506	NRSA63J-273X	MG RESISTOR		
	R8507	NRSA63J-103X	MG RESISTOR		
	R8508	NRSA63J-103X	MG RESISTOR		
	R8509	NRSA63J-682X	MG RESISTOR		
	R8510	NRSA63J-682X	MG RESISTOR		
	S5801	QSW0620-001	SWITCH		
	S5802	QSW0620-001	SWITCH		
	S8501	QSW0651-001Z	TACT SWITCH	POWER	
	S8502	QSW0651-001Z	TACT SWITCH	SOURCE	
	S8503	QSW0651-001Z	TACT SWITCH	CDR EJECT	
	S8504	QSW0651-001Z	TACT SWITCH	PANEL OP/CL	
	T 1	QQR0793-001	IFT		
	TU 1	QAU0160-001	FRONT END		
	WC802	QZW0038-001	WIRE CLAMP		
	X 1	QAX0402-001	CRYSTAL		
	X 70	QAX0263-001Z	CRYSTAL		
	X7001	QAX0699-001Z	RESONATOR	10MHZ	
	X7002	QAX0401-001	CRYSTAL	32KHZ	

■ Electrical parts list (AMP board)

Block No. 02

▲	Item	Parts number	Parts name	Remarks	Area	▲	Item	Parts number	Parts name	Remarks	Area
	CN101	QGB2510K2-06	CONNECTOR				C4001	QCBB1HK-103Y	C CAPACITOR	.010MF 10% 50V	
	CN102	QGB2510K2-15	CONNECTOR				C4003	QETN1EM-476Z	E CAPACITOR	47MF 20% 25V	
	CN103	QGB2024J1-04S	CONNECTOR				C4004	QCBB1HK-103Y	C CAPACITOR	.010MF 10% 50V	
	CN202	QGB2510K2-09	CONNECTOR	TO MICOM			C4005	QTE1V06-226Z	E CAPACITOR		
	CN203	QGA2501C1-07	7P CONNECTOR	TO MAIN TRANS			C4006	QCBB1HK-103Y	C CAPACITOR	.010MF 10% 50V	
	CN204	QGB2510K2-09	CONNECTOR	TO PWB			C4008	QETN1HM-226Z	E CAPACITOR	22MF 20% 50V	
	CN205	QGB2510J1-04	CONNECTOR	TO REG			C4009	QCBB1HK-103Y	C CAPACITOR	.010MF 10% 50V	
	CN206	QGB2510J1-06	CONNECTOR	TO AMP			C4011	QETN1HM-226Z	E CAPACITOR	22MF 20% 50V	
	CN207	QGB2510K2-07	CONNECTOR				C4012	QETN1HM-226Z	E CAPACITOR	22MF 20% 50V	
	CN208	QGB2024K1-07S	CONNECTOR	TO REG			C4013	QETN1HM-226Z	E CAPACITOR	22MF 20% 50V	
	CN209	QGB2024K1-04S	CONNECTOR	TO AMP			C4014	QCBB1HK-103Y	C CAPACITOR	.010MF 10% 50V	
	CN210	QGA2501C1-02	2P CONNECTOR				C4019	QCBB1HK-103Y	C CAPACITOR	.010MF 10% 50V	
	CN401	QGB2510K2-14	CONNECTOR				C4020	QETN1AM-107Z	E CAPACITOR	100MF 20% 10V	
	CN402	QGB2510K2-04	CONNECTOR				C4021	QCBB1HK-103Y	C CAPACITOR	.010MF 10% 50V	
	CN403	QGA2501C1-07	7P CONNECTOR	TO CONNECT WIRE			C4022	QCFB1HZ-104Y	C CAPACITOR	.10MF +80-20%	
	CN405	QGB2024J1-07S	CONNECTOR				C5603	QCBB1HK-103Y	C CAPACITOR	.010MF 10% 50V	
	CN501	QGF1205C1-15	CONNECTOR	TO MAIN DIGITAL			C5901	QDYB1CM-103Y	C.CAPACITOR		
	CN502	QGF1205F1-17	CONNECTOR	TO MAIN ANALOG			C5902	QTE1C06-476Z	E CAPACITOR		
	CN504	QGF1016F3-19	CONNECTOR	TO CD			C5903	QEKC1CM-476Z	E.CAPACITOR	47MF 20% 16V	
	CN505	QGF1016F3-08	CONNECTOR	TO CD			C5907	QDYB1CM-103Y	C.CAPACITOR		
	CN506	QGF1016C1-08	CONNECTOR	TO CDR			C5908	QTE1C06-476Z	E CAPACITOR		
	CN507	QGA2001F1-06	6P PLUG ASSY	TO CDR			D1101	1SS133-T2	SI DIODE IM		
	CN508	QGF1016C1-23	CONNECTOR	TO CDR			D1201	1SS133-T2	SI DIODE IM		
	CN583	QGA2001F1-02	2P CONNECTOR	FOR MOVING MOTO			D1801	1SS133-T2	SI DIODE IM		
	CN601	QGF1004F4-10	CONNECTOR	TO REC-KEY PWB			D1802	1SS133-T2	SI DIODE IM		
	CN671	QGF1004F4-10	CONNECTOR	TO JOG			D1805	1SS133-T2	SI DIODE IM		
	CN672	QGF1036F1-13	13P PLUG ASSY	TO UCON PWB			D2001	MTZJ5.1C-T2	ZENER DIODE	FL VPP	
	C1104	QTE1V06-106Z	E CAPACITOR				D2401	1N4003S-T5	SI DIODE	FL VPP	
	C1105	QCBB1HK-221Y	C CAPACITOR	220PF 10% 50V			D2402	1N4003S-T5	SI DIODE	FL VPP	
	C1106	QCBB1HK-101Y	C CAPACITOR	100PF 10% 50V			D2403	1N4003S-T5	SI DIODE		
	C1107	QTE1H28-476Z	E CAPACITOR			▲	D2501	2A02-M	DIODE		
	C1108	QCSB1HK-3R3Y	C CAPACITOR	3.3PF 10% 50V		▲	D2502	2A02-M	DIODE		
	C1109	QETN1EM-476Z	E CAPACITOR	47MF 20% 25V		▲	D2503	2A02-M	DIODE		
	C1111	QETN1HM-105Z	E CAPACITOR	1.0MF 20% 50V		▲	D2504	2A02-M	DIODE		
	C1204	QTE1V06-106Z	E CAPACITOR			▲	D2505	2A02-M	DIODE	F5WMD NO USE	
	C1205	QCBB1HK-221Y	C CAPACITOR	220PF 10% 50V		▲	D2506	2A02-M	DIODE	F5WMD NO USE	
	C1206	QCBB1HK-101Y	C CAPACITOR	100PF 10% 50V		▲	D2507	2A02-M	DIODE	F5WMD NO USE	
	C1207	QTE1H28-476Z	E CAPACITOR			▲	D2508	2A02-M	DIODE	F5WMD NO USE	
	C1208	QCSB1HK-3R3Y	C CAPACITOR	3.3PF 10% 50V		▲	D2509	1N5402M-20	DIODE		
	C1209	QETN1EM-476Z	E CAPACITOR	47MF 20% 25V		▲	D2510	1N5402M-20	DIODE		
	C1211	QETN1HM-105Z	E CAPACITOR	1.0MF 20% 50V		▲	D2511	1N5402M-20	DIODE		
	C1301	QTE1V28-107Z	E CAPACITOR			▲	D2512	1N5402M-20	DIODE		
	C1302	QTE1V28-107Z	E CAPACITOR				D4001	MTZJ11B-T2	ZENER DIODE		
	C1303	QTE1V06-226Z	E CAPACITOR				D4002	1N5402M-20	DIODE	1SR35-400	
	C1304	QTE1V06-226Z	E CAPACITOR				D4003	MTZJ13C-T2	ZENER DIODE		
	C1350	QETN1HM-105Z	E CAPACITOR	1.0MF 20% 50V			D4004	MTZJ13C-T2	ZENER DIODE		
	C1370	QETN1HM-474Z	E CAPACITOR	.47MF 20% 50V			D4005	1SS133-T2	SI DIODE IM		
	C1401	QFLC1HJ-473Z	M CAPACITOR	.047MF 5% 50V			D4006	MTZJ7.5A-T2	Z.DIODE I.M		
	C1805	QETN1HM-106Z	E CAPACITOR	10MF 20% 50V			D4007	1SS133-T2	SI DIODE IM		
	C1806	QETN1EM-476Z	E CAPACITOR	47MF 20% 25V			D4008	MTZJ9.1A-T2	ZENER DIODE		
	C2001	QETN1HM-475Z	E CAPACITOR	4.7MF 20% 50V			D4009	1SS133-T2	SI DIODE IM		
	C2101	QFLC1HJ-104Z	M CAPACITOR	.10MF 5% 50V			D4010	MTZJ36A-T2	Z.DIODE I.M		
	C2201	QFLC1HJ-104Z	M CAPACITOR	.10MF 5% 50V			D4018	1N4003S-T5	SI DIODE		
	C2401	QETN1HM-227Z	E CAPACITOR	220MF 20% 50V			D4019	1SS133-T2	SI DIODE IM		
	C2402	QETN1HM-107Z	E CAPACITOR	100MF 20% 50V			D4020	1SS133-T2	SI DIODE IM		
	C2403	QETN1HM-106Z	E CAPACITOR	10MF 20% 50V			D5101	MTZJ6.2C-T2	Z DIODE I/M	SAFETY	
	C2501	QFLC1HJ-223Z	M CAPACITOR	.022MF 5% 50V			D5102	1SS133-T2	SI DIODE IM	SAFETY	
	C2502	QFLC1HJ-223Z	M CAPACITOR	.022MF 5% 50V			D5103	1SS133-T2	SI DIODE IM	SAFETY	
	C2503	QFV72AJ-104Z	MF CAPACITOR	.10MF 5% 100V			D5104	MTZJ8.2B-T2	DIODE	D6V SAFETY	
	C2504	QFV72AJ-104Z	MF CAPACITOR	.10MF 5% 100V			D5105	MTZJ11A-T2	ZENER DIODE	SAFETY	
	C2901	QCBB1HK-101Y	C CAPACITOR	100PF 10% 50V			D5107	1SS133-T2	SI DIODE IM		
	C2902	QDGB1HK-102Y	C CAPACITOR			▲	D5901	MTZJ5.6C-T2	ZENER DIODE	CD5V	
	C2903	QCBB1HK-101Y	C CAPACITOR	100PF 10% 50V		▲	D5903	MTZJ5.6C-T2	ZENER DIODE	A5V	

■ Electrical parts list (AMP board)

Block No. 02

△	Item	Parts number	Parts name	Remarks	Area
	D5904	1N4003S-T5	SI DIODE		
	D5906	1N4003S-T5	SI DIODE		
	D6301	SELU1E10CXM	LED		
	D6302	MTZJ8.2B-T2	DIODE		
	D6701	SELU2E10C	LED		
	D6702	SELU2E10C	LED		
	D6703	MTZJ8.2B-T2	DIODE		
	D6704	MTZJ8.2B-T2	DIODE		
	FT251	QNG0003-001Z	FUSE CLIP	FOR F2501	
	FT252	QNG0003-001Z	FUSE CLIP	FOR F2501	
△	IC101	STK402-030	IC		
	IC401	SI-3033C	IC	D3.3V REG	
	JS631	QSW0793-001	ROTARY ENCODER		
	J2901	QNS0170-001	JACK		
	K2901	QQR1183-001Z	F.BEADS I.M		
	K2902	QQR1183-001Z	F.BEADS I.M		
	K2903	QQR1183-001Z	F.BEADS I.M		
	K5201	QQR1183-001Z	F.BEADS I.M	CD	
	K5205	QQR1183-001Z	F.BEADS I.M	CD	
	K5301	QQR1183-001Z	F.BEADS I.M	CDR	
	K5302	QQR1183-001Z	F.BEADS I.M	CDR	
	K5303	QQR1183-001Z	F.BEADS I.M	CDR	
	K5304	QQR1183-001Z	F.BEADS I.M	CDR	
	K5305	QQR1183-001Z	F.BEADS I.M	CDR	
	K5308	QQR1183-001Z	F.BEADS I.M	CDR	
	L1101	QQLZ005-R45	INDUCTOR		
	L1201	QQLZ005-R45	INDUCTOR		
	Q1101	KTA1268/GL-T	TRANSISTOR	PROTECT	
	Q1150	2SC3576-JVC-T	TRANSISTOR I/M	S-MUTE	
	Q1201	KTA1268/GL-T	TRANSISTOR	PROTECT	
	Q1250	2SC3576-JVC-T	TRANSISTOR I/M	S-MUTE	
	Q1350	KRA102M-T	D.TRANSISTOR	S-MUTE	
	Q1401	2SK301/PQ-T	TRANSISTOR(FET)	SURROUND	
	Q1402	KRA102M-T	D.TRANSISTOR		
	Q1801	KRC110M-T	TR I/M		
	Q1805	2SC945/QP-T	TRANSISTOR		
	Q1806	2SA733/QP-T	TRANSISTOR		
	Q1807	KTC3199/GL-T	TRANSISTOR		
△	Q1901	KRC104M-T	D.TR.I.M	AMP SW	
	Q1902	KRA104M-T	D.TR.I.M	AMP SW	
	Q2401	KTA1267/YG-T	TRANSISTOR		
	Q2402	KRC102M-T	D.TRANSISTOR		
	Q4001	2SD2395/EF/	TRANSISTOR		
	Q4002	KTC3199/GL-T	TRANSISTOR		
	Q4004	2SD2395/EF/	TRANSISTOR	A12V	
	Q4005	KTC3199/GL-T	TRANSISTOR		
	Q4009	KTC3199/GL-T	TRANSISTOR		
	Q4013	2SD2395/EF/	TRANSISTOR	MD6V	
	Q4017	2SB1565/EF/	TRANSISTOR	M9V	
	Q4018	KTC3199/GL-T	TRANSISTOR		
	Q4019	2SC3576-JVC-T	TRANSISTOR I/M		
	Q4020	2SC3576-JVC-T	TRANSISTOR I/M		
	Q4021	KRA102M-T	D.TRANSISTOR		
	Q4022	KRA102M-T	D.TRANSISTOR		
	Q4023	KTA1271/OY-T	TRANSISTOR		
	Q4024	KRC114M-T	TR I.M		
	Q4029	KTC3199/GL-T	TRANSISTOR		
	Q4030	2SD2395/EF/	TRANSISTOR	REG	
	Q5101	KTC3199/GL-T	TRANSISTOR	SAFETY	
	Q5102	KTA1267/YG-T	TRANSISTOR		
	Q5901	KTC3203/OY-T	TRANSISTOR	CD5V	
	Q5903	KTC3199/GL-T	TRANSISTOR	A5V	
	R1101	QRE141J-182Y	C RESISTOR	1.8K 5% 1/4W	

△	Item	Parts number	Parts name	Remarks	Area
	R1102	QRE141J-273Y	C RESISTOR	27K 5% 1/4W	
	R1103	QRE141J-181Y	C RESISTOR	180 5% 1/4W	
	R1104	QRE141J-563Y	C RESISTOR	56K 5% 1/4W	
	R1105	QRJ146J-751X	UNF C.RES I/M	750 5% 1/4W	
	R1106	QRE141J-563Y	C RESISTOR	56K 5% 1/4W	
△	R1107	QRT01DJ-R33X	UNF.MF.RES.I/M	5% 1/1W	
△	R1108	QRJ146J-4R7X	UNF C.RES I/M	4.7 5% 1/4W	
△	R1109	QRT01DJ-R33X	UNF.MF.RES.I/M	5% 1/1W	
	R1110	QRE141J-102Y	C RESISTOR	1.0K 5% 1/4W	
	R1111	QRE141J-183Y	C RESISTOR	18K 5% 1/4W	
	R1112	QRE141J-473Y	C RESISTOR	47K 5% 1/4W	
	R1114	QRE141J-392Y	C RESISTOR	3.9K 5% 1/4W	
△	R1115	QRZ9005-101X	F.RES I/M	100 1/0W	
	R1117	QRE141J-391Y	C RESISTOR	390 5% 1/4W	
	R1150	QRE141J-103Y	C RESISTOR	10K 5% 1/4W	
	R1201	QRE141J-182Y	C RESISTOR	1.8K 5% 1/4W	
	R1202	QRE141J-273Y	C RESISTOR	27K 5% 1/4W	
	R1203	QRE141J-181Y	C RESISTOR	180 5% 1/4W	
	R1204	QRE141J-563Y	C RESISTOR	56K 5% 1/4W	
	R1205	QRJ146J-751X	UNF C.RES I/M	750 5% 1/4W	
	R1206	QRE141J-563Y	C RESISTOR	56K 5% 1/4W	
△	R1207	QRT01DJ-R33X	UNF.MF.RES.I/M	5% 1/1W	
△	R1208	QRJ146J-4R7X	UNF C.RES I/M	4.7 5% 1/4W	
△	R1209	QRT01DJ-R33X	UNF.MF.RES.I/M	5% 1/1W	
	R1210	QRE141J-102Y	C RESISTOR	1.0K 5% 1/4W	
	R1211	QRE141J-183Y	C RESISTOR	18K 5% 1/4W	
	R1212	QRE141J-473Y	C RESISTOR	47K 5% 1/4W	
	R1214	QRE141J-392Y	C RESISTOR	3.9K 5% 1/4W	
△	R1215	QRZ9005-101X	F.RES I/M	100 1/0W	
	R1217	QRE141J-391Y	C RESISTOR	390 5% 1/4W	
	R1250	QRE141J-103Y	C RESISTOR	10K 5% 1/4W	
	R1301	QRE141J-103Y	C RESISTOR	10K 5% 1/4W	
	R1302	QRJ146J-101X	UNF C.RES I/M	100 5% 1/4W	
	R1350	QRE141J-223Y	C RESISTOR	22K 5% 1/4W	
	R1401	QRE141J-155Y	C RESISTOR	1.5M 5% 1/4W	
	R1403	QRE141J-475Y	C RESISTOR	4.7M 5% 1/4W	
	R1404	QRE141J-473Y	C RESISTOR	47K 5% 1/4W	
	R1405	QRE141J-105Y	C RESISTOR	1.0M 5% 1/4W	
	R1406	QRE141J-122Y	C RESISTOR	1.2K 5% 1/4W	
	R1407	QRE141J-224Y	C RESISTOR	220K 5% 1/4W	
	R1408	QRE141J-333Y	C RESISTOR	33K 5% 1/4W	
	R1801	QRE141J-473Y	C RESISTOR	47K 5% 1/4W	
	R1802	QRE141J-473Y	C RESISTOR	47K 5% 1/4W	
	R1803	QRE141J-123Y	C RESISTOR	12K 5% 1/4W	
	R1805	QRE141J-103Y	C RESISTOR	10K 5% 1/4W	
	R1806	QRE141J-103Y	C RESISTOR	10K 5% 1/4W	
	R1807	QRE141J-104Y	C RESISTOR	100K 5% 1/4W	
	R1808	QRE141J-104Y	C RESISTOR	100K 5% 1/4W	
	R1809	QRE141J-104Y	C RESISTOR	100K 5% 1/4W	
	R1810	QRE141J-823Y	C RESISTOR	82K 5% 1/4W	
△	R2101	QRZ9006-4R7X	F RESISTOR	4.7 1/0W	
△	R2201	QRZ9006-4R7X	F RESISTOR	4.7 1/0W	
△	R2401	QRZ9005-331X	F.RES I/M	330 1/4W	
△	R2402	QRZ9005-100X	F.RES I/M	10 1/4W	
	R2403	QRE141J-103Y	C RESISTOR	10K 5% 1/4W	
	R4001	QRJ146J-821X	UNF C.RES I/M	820 5% 1/4W	
	R4002	QRE141J-821Y	C RESISTOR	820 5% 1/4W	
△	R4009	QRZ9006-4R7X	F RESISTOR	4.7 1/0W	
	R4010	QRE141J-122Y	C RESISTOR	1.2K 5% 1/4W	
	R4012	QRE141J-391Y	C RESISTOR	390 5% 1/4W	
	R4023	QRE141J-222Y	C RESISTOR	2.2K 5% 1/4W	
	R4025	QRE141J-223Y	C RESISTOR	22K 5% 1/4W	
	R4026	QRE141J-223Y	C RESISTOR	22K 5% 1/4W	

■ Electrical parts list (AMP board)

Block No. 02

△	Item	Parts number	Parts name	Remarks	Area
	R4035	QRE141J-471Y	C RESISTOR	470 5% 1/4W	
	R4036	QRE141J-471Y	C RESISTOR	470 5% 1/4W	
	R4039	QRE141J-681Y	C RESISTOR	680 5% 1/4W	
	R4040	QRE141J-272Y	C RESISTOR	2.7K 5% 1/4W	
	R4041	QRE141J-681Y	C RESISTOR	680 5% 1/4W	
	R4042	QRE141J-222Y	C RESISTOR	2.2K 5% 1/4W	
	R4043	QRE141J-181Y	C RESISTOR	180 5% 1/4W	
	R4045	QRE141J-103Y	C RESISTOR	FOR FAN TEST	
	R4046	QRE141J-101Y	C RESISTOR	100 5% 1/4W	
	R4047	QRE141J-563Y	C RESISTOR	56K 5% 1/4W	
	R4048	QRE141J-101Y	C RESISTOR	100 5% 1/4W	
	R4049	QRE141J-103Y	C RESISTOR	FOR FAN TEST	
	R5101	QRE141J-472Y	C RESISTOR	4.7K 5% 1/4W	
	R5102	QRE141J-472Y	C RESISTOR	4.7K 5% 1/4W	
	R5103	QRE141J-103Y	C RESISTOR	10K 5% 1/4W	
	R5104	QRE141J-622Y	C RESISTOR	6.2K 5% 1/4W	
	R5105	QRE141J-103Y	C RESISTOR	10K 5% 1/4W	
	R5203	QRE141J-101Y	C RESISTOR	100 5% 1/4W	
	R5204	QRE141J-101Y	C RESISTOR	100 5% 1/4W	
	R5205	QRE141J-101Y	C RESISTOR	100 5% 1/4W	
	R5206	QRE141J-101Y	C RESISTOR	100 5% 1/4W	
	R5309	QRE141J-101Y	C RESISTOR	100 5% 1/4W	
	R5310	QRE141J-102Y	C RESISTOR	1.0K 5% 1/4W	
	R5311	QRE141J-102Y	C RESISTOR	1.0K 5% 1/4W	
	R5312	QRE141J-102Y	C RESISTOR	1.0K 5% 1/4W	
	R5313	QRE141J-102Y	C RESISTOR	1.0K 5% 1/4W	
	R5314	QRE141J-102Y	C RESISTOR	1.0K 5% 1/4W	
	R5315	QRE141J-102Y	C RESISTOR	1.0K 5% 1/4W	
	R5316	QRE141J-102Y	C RESISTOR	1.0K 5% 1/4W	
	R5901	QRE141J-561Y	C RESISTOR	560 5% 1/4W	
	R5902	QRE141J-561Y	C RESISTOR	560 5% 1/4W	
	R5904	QRE141J-181Y	C RESISTOR	180 5% 1/4W	
	R6101	QRE141J-202Y	C RESISTOR	2.0K 5% 1/4W	
	R6102	QRE141J-122Y	C RESISTOR	1.2K 5% 1/4W	
	R6103	QRE141J-152Y	C RESISTOR	1.5K 5% 1/4W	
	R6104	QRE141J-222Y	C RESISTOR	2.2K 5% 1/4W	
	R6105	QRE141J-272Y	C RESISTOR	2.7K 5% 1/4W	
	R6106	QRE141J-392Y	C RESISTOR	3.9K 5% 1/4W	
	R6107	QRE141J-562Y	C RESISTOR	5.6K 5% 1/4W	
	R6201	QRE141J-202Y	C RESISTOR	2.0K 5% 1/4W	
	R6202	QRE141J-152Y	C RESISTOR	1.5K 5% 1/4W	
	R6203	QRE141J-182Y	C RESISTOR	1.8K 5% 1/4W	
	R6204	QRE141J-222Y	C RESISTOR	2.2K 5% 1/4W	
	R6205	QRE141J-332Y	C RESISTOR	3.3K 5% 1/4W	
	R6301	QRE141J-821Y	C RESISTOR	820 5% 1/4W	
	R6501	QRE141J-202Y	C RESISTOR	2.0K 5% 1/4W	
	R6502	QRE141J-122Y	C RESISTOR	1.2K 5% 1/4W	
	R6503	QRE141J-152Y	C RESISTOR	1.5K 5% 1/4W	
	R6504	QRE141J-222Y	C RESISTOR	2.2K 5% 1/4W	
	R6505	QRE141J-272Y	C RESISTOR	2.7K 5% 1/4W	
	R6506	QRE141J-392Y	C RESISTOR	3.9K 5% 1/4W	
	R6507	QRE141J-562Y	C RESISTOR	5.6K 5% 1/4W	
	R6601	QRE141J-821Y	C RESISTOR	820 5% 1/4W	
	R6602	QRE141J-821Y	C RESISTOR	820 5% 1/4W	
	S6101	QSW0651-001Z	TACT SWITCH	B.SKIP	
	S6102	QSW0651-001Z	TACT SWITCH	STOP	
	S6103	QSW0651-001Z	TACT SWITCH	F.SKIP	
	S6104	QSW0651-001Z	TACT SWITCH	DIRECT REC	
	S6105	QSW0651-001Z	TACT SWITCH	DISK SELECT	
	S6106	QSW0651-001Z	TACT SWITCH	CD PLAY/PAUSE	
	S6107	QSW0651-001Z	TACT SWITCH	CDR PLAY/PAUSE	
	S6108	QSW0651-001Z	TACT SWITCH	FINALIZE	
	S6201	QSW0651-001Z	TACT SWITCH	REC MUTE	

△	Item	Parts number	Parts name	Remarks	Area
	S6202	QSW0651-001Z	TACT SWITCH	FADE IN/OUT	
	S6203	QSW0651-001Z	TACT SWITCH	REC PAUSE	
	S6204	QSW0651-001Z	TACT SWITCH	CD3 EJECT	
	S6205	QSW0651-001Z	TACT SWITCH	CD2 EJECT	
	S6206	QSW0651-001Z	TACT SWITCH	CD1 EJECT	
	S6501	QSW0651-001Z	TACT SWITCH	REC LEVEL	
	S6502	QSW0651-001Z	TACT SWITCH	REC START	
	S6503	QSW0651-001Z	TACT SWITCH	CANCEL	
	S6504	QSW0651-001Z	TACT SWITCH	SET	
	S6505	QSW0651-001Z	TACT SWITCH	REC MODE	
	S6506	QSW0651-001Z	TACT SWITCH	REC SPEED	
	S6508	QSW0651-001Z	TACT SWITCH	GROUP(F5)	
	TH501	QAD0015-103Z	THERMISTOR		
	W2901	QJK026-052800	SIN CR C-B WIRE	H.P.-MINI TRA.	
	W5001	QJK026-072802	SIN CR C-B WIRE	CONNECT-REGU.	
	W5002	QJP012-042204	SHI CR C-B WIRE	CONNECT-TUNER	
	W5801	QJB002-020802	SIN CR C-B WIRE	MOTOR CONN-CAM	

■ Electrical parts list (Power board)

Block No. 03

△	Item	Parts number	Parts name	Remarks	Area
	CN901	QGA7901C1-02	CONNECTOR	POWER CORD(PRI)	
	CN902	QGB2510J1-07	CONNECTOR	TO REAR PWB	
	CN903	QGB2510J1-09	CONNECTOR	TO REAR PWB	
	CN904	QGA7901C1-02	CONNECTOR		
	CN905	QGA2501F1-05	CONNECTOR	FOR HP	
	C9001	QFV61HJ-104Z	MF CAPACITOR	.10MF 5% 50V	
	C9002	QFV61HJ-104Z	MF CAPACITOR	.10MF 5% 50V	
△	C9005	QCZ9104-472	C.CAPACITOR	4700PF	
	C9101	QFLC1HJ-223Z	M CAPACITOR	.022MF 5% 50V	
	C9102	QFLC1HJ-103Z	M CAPACITOR	.010MF 5% 50V	
	C9103	QFLC1HJ-103Z	M CAPACITOR	.010MF 5% 50V	
	C9201	QFLC1HJ-223Z	M CAPACITOR	.022MF 5% 50V	
	C9202	QFLC1HJ-103Z	M CAPACITOR	.010MF 5% 50V	
	C9203	QFLC1HJ-103Z	M CAPACITOR	.010MF 5% 50V	
	C9301	QETN1HM-105Z	E CAPACITOR	1.0MF 20% 50V	
	C9401	QETN1HM-105Z	E CAPACITOR	1.0MF 20% 50V	
△	D9001	1SS133-T2	SI DIODE IM		
	FT911	QNG0003-001Z	FUSE CLIP	FOR F9001	
	FT912	QNG0003-001Z	FUSE CLIP	FOR F9001	
	J 931	QNB0038-001	SPK.TERMINAL	EVER=-002	
	J 932	E409182-001SM	GRAND TERMINAL		
△	LF901	QQR1145-001	LINE FILTER	FOR EVER	
	Q9101	2SC3576-JVC-T	TRANSISTOR I/M		
	Q9201	2SC3576-JVC-T	TRANSISTOR I/M		
	Q9301	KRA102M-T	D.TRANSISTOR		
	Q9401	KTC3199/GL-T	TRANSISTOR		
△	RY901	QSK0124-001	RELAY	PRI RELAY	
	RY941	QSK0109-001	RELAY	SPK RELAY	
△	R9101	QRZ9006-4R7X	F RESISTOR	4.7 1/4W	
△	R9102	QRL01DJ-331X	UNF.OMF.RES.I.M	330 5% 1/1W	
	R9103	QRJ146J-181X	UNF C.RES I/M	180 5% 1/4W	
	R9104	QRE141J-103Y	C RESISTOR	10K 5% 1/4W	
△	R9201	QRZ9006-4R7X	F RESISTOR	4.7 1/4W	
△	R9202	QRL01DJ-331X	UNF.OMF.RES.I.M	330 5% 1/1W	
	R9203	QRJ146J-181X	UNF C.RES I/M	180 5% 1/4W	
	R9204	QRE141J-103Y	C RESISTOR	10K 5% 1/4W	
	R9301	QRE141J-223Y	C RESISTOR	22K 5% 1/4W	
	R9401	QRE141J-152Y	C RESISTOR	1.5K 5% 1/4W	
	R9402	QRE141J-104Y	C RESISTOR	100K 5% 1/4W	
△	T9002	QQT0353-001	POWER TRANSF		

■ Electrical parts list (CD servo board)

Block No. 04

△	Item	Parts number	Parts name	Remarks	Area	△	Item	Parts number	Parts name	Remarks	Area
	C 250	NCB31CK-104X	C CAPACITOR	E2P VDD-VSS			C 851	QERF1CM-106Z	E CAPACITOR	VCC-M.GND	
	C 253	NCB31CK-104X	C CAPACITOR	VDD-VSS			C 852	NCB31HK-103X	C CAPACITOR		
	C 254	QERF0JM-476Z	E CAPACITOR	VDD-VSS			C 853	NCB31HK-103X	C CAPACITOR		
	C 291	NCB21CK-105X	C CAPACITOR	+5V-D.GND			C 855	NCB31CK-104X	C CAPACITOR	VCC-M.GND	
	C 292	NCB21CK-105X	C CAPACITOR				C 859	NCF31AZ-105X	C CAPACITOR	CAM MOTOR	
	C 601	NCB31HK-102X	C CAPACITOR	PU E			C 860	NCF31AZ-105X	C CAPACITOR	ACTU MOTOR	
	C 602	NCB31HK-102X	C CAPACITOR	PU F			CN601	QGF1016C1-21	CONNECTOR	TRAVERSE	
	C 603	NCB31HK-223X	C CAPACITOR	TBAL			CN606	QGF1016F3-08	CONNECTOR	4T I/F	
	C 604	NCB31HK-223X	C CAPACITOR	FBAL			CN608	QGF1016F3-04	CONNECTOR	CD-TEXT	
	C 605	NCS31HJ-271X	C CAPACITOR	FE			CN610	QGB1214J1-08S	CONNECTOR	TO SW CB(CN620)	
	C 606	NCS31HJ-820X	C CAPACITOR	TE			CN651	QGF1016F3-19	CONNECTOR	MAIN	
	C 610	NCB31CK-563X	C CAPACITOR	RFENV			D 251	MA112-X	DIODE		
	C 611	NCB31CK-104X	C CAPACITOR	RF			D 631	1SS355-X	DIODE C.M		
	C 612	QERF1HM-104Z	E CAPACITOR	CAGC			D 667	MA152WA-X	DIODE		
	C 614	NCB31CK-393X	C CAPACITOR	CEA			D 801	1SR154-400-X	DIODE		
	C 615	NCB31HK-272X	C CAPACITOR	CBDO			D 852	UDZS5.6B-X	Z DIODE	VZ	
	C 616	NCB31HK-681X	C CAPACITOR	COFTR			IC201	BR24C01AFV-W-X	IC	E2PROM	
	C 617	NCB31HK-331X	C CAPACITOR	OFT-D.GND			IC251	UPD780076GK502	IC	MICOM	
	C 621	NCB31CK-104X	C CAPACITOR	VREF-D.GND			IC291	XC62HR3502P-X	IC		
	C 622	QERF1AM-107Z	E CAPACITOR	VREF-D.GND			IC601	AN22000A-W	I.C C.M	RF AMP	
	C 623	NCF31AZ-105X	C CAPACITOR	VCC-D.GND			IC651	MN662790RSC	IC	DSP & DAC	
	C 624	QERF1AM-107Z	E CAPACITOR	VCC-D.GND			IC801	LA6541-X	IC	PU DRIVE	
	C 625	NCB31CK-104X	C CAPACITOR	VREF-D.GND			IC851	LB1641	IC	ACTU MOTOR DRIVE	
	C 631	QERF1CM-106Z	E CAPACITOR	APC +5V-BASE			IC852	LB1641	IC	CAM MOTOR DRIVE	
	C 632	NCF31AZ-105X	C CAPACITOR	APC +5V-D.GND			K 655	NQR0007-002X	FERRITE BEADS	TX	
	C 633	NCB31HK-223X	C CAPACITOR	PU K-VREF			K 656	NQR0251-004X	FERRITE BEADS	SRDATA	
	C 641	NCS31HJ-150X	C CAPACITOR	EQ X1X2			K 657	NQR0251-004X	FERRITE BEADS	LRCK	
	C 642	NCS31HJ-220X	C CAPACITOR	EQ X1			K 658	NQR0251-004X	FERRITE BEADS	BCLK	
	C 643	NCS31HJ-6R0X	C CAPACITOR				Q 601	DTC114EUA-X	TRANSISTOR	EQX2	
	C 651	NCS31HJ-1R0X	C.CAPA. C.M	X1			Q 602	DTC114EUA-X	TRANSISTOR	EQX4	
	C 652	NCS31HJ-1R0X	C.CAPA. C.M	X2			Q 631	2SA1037AK/RS/-X	TRANSISTOR	APC	
	C 653	NCB31AK-334X	C.CAPA. C.M	RST-VSS			Q 673	DTA114EUA-X	DIGITAL.TR	IREF CHANGER	
	C 655	NCB31CK-104X	C CAPACITOR	DVDD1-DVSS1			R 201	NRSA63J-103X	MG RESISTOR	SDA PULL UP	
	C 656	NCB11EK-104X	C.CAPA. C.M	VDD-VSS			R 251	NRSA63J-102X	MG RESISTOR	MCLK	
	C 657	QERF1AM-227Z	E CAPACITOR	DVDD1-DVSS1			R 252	NRSA63J-102X	MG RESISTOR	MDATA	
	C 658	NCB31CK-104X	C CAPACITOR	A.GND-D.GND			R 253	NRSA63J-102X	MG RESISTOR	MLD	
	C 659	NCB31CK-473X	C CAPACITOR				R 254	NRSA63J-102X	MG RESISTOR	/DMUTE	
	C 661	NCS31HJ-471X	C CAPACITOR	ARF			R 255	NRSA63J-102X	MG RESISTOR	MCS	
	C 663	NCB31HK-223X	C CAPACITOR	ARF			R 256	NRSA63J-102X	MG RESISTOR	MRDY	
	C 664	NCB31HK-223X	C CAPACITOR	IREF			R 257	NRSA63J-102X	MG RESISTOR	SQCK	
	C 665	NCB31AK-154X	C CAPACITOR	PLL			R 258	NRSA63J-102X	MG RESISTOR	KCMND	
	C 667	NCB31AK-474X	C CAPACITOR	VCOF			R 259	NRSA63J-102X	MG RESISTOR	MSTAT	
	C 669	QERF1AM-227Z	E CAPACITOR	VDD-VSS			R 260	NRSA63J-102X	MG RESISTOR	KCLK	
	C 673	QERF1AM-227Z	E CAPACITOR	AVDD1-AVSS1			R 261	NRSA63J-0R0X	MG RESISTOR		
	C 676	NCB31CK-104X	C CAPACITOR	OFT			R 270	NRSA63J-223X	MG RESISTOR	TRY1 CLOSE	
	C 677	NCB31CK-104X	C CAPACITOR	AVDD1-AVSS1			R 271	NRSA63J-223X	MG RESISTOR	TRY10P PULL-UP	
	C 679	QERF1AM-107Z	E CAPACITOR	AVDD2-AVSS2			R 272	NRSA63J-223X	MG RESISTOR	TRY20P PULL-UP	
	C 680	NCB31CK-104X	C CAPACITOR	AVDD2-AVSS2			R 273	NRSA63J-223X	MG RESISTOR	TRY2 CLOSE	
	C 691	NCS31HJ-102X	C CAPACITOR	OUTL			R 274	NRSA63J-223X	MG RESISTOR	TRY30P PULL-UP	
	C 692	NCS31HJ-102X	C CAPACITOR	OUTR			R 275	NRSA63J-223X	MG RESISTOR	TRY3 CLOSE	
	C 693	NCB31HK-272X	C CAPACITOR	OUTL			R 277	NRSA63J-103X	MG RESISTOR		
	C 694	NCB31HK-272X	C CAPACITOR	OUTR			R 278	NRSA63J-102X	MG RESISTOR	CAM CCW	
	C 695	NCB31CK-104X	C CAPACITOR	VCC4.3V-GND			R 279	NRSA63J-102X	MG RESISTOR	CAM CW	
	C 801	NCB31HK-223X	C CAPACITOR	VG3			R 280	NRSA63J-102X	MG RESISTOR	ACTU CCW	
	C 802	NCS31HJ-102X	C CAPACITOR	TRD			R 281	NRSA63J-102X	MG RESISTOR	ACTU CW	
	C 811	NCS31HJ-391X	C CAPACITOR	FOCUS			R 283	NRSA63J-102X	MG RESISTOR	CDEMF	
	C 812	NCS31HJ-391X	C CAPACITOR	SPINDLE			R 284	NRSA63J-102X	MG RESISTOR	CDCOPY	
	C 813	NCS31HJ-391X	C CAPACITOR	FEED			R 285	NRSA63J-102X	MG RESISTOR	CDTNO	
	C 814	NCS31HJ-391X	C CAPACITOR	TRACKING			R 286	NRSA63J-102X	MG RESISTOR		
	C 815	NCB21AK-105X	C.CAPA. C.M	TRD			R 288	NRSA63J-103X	MG RESISTOR	CDTNO PULL UP	
	C 816	NCB20JK-155X	C.CAPA. C.M	FOD			R 291	NRSA63J-1R0X	MG RESISTOR		
	C 821	NCF31AZ-105X	C CAPACITOR	VCC-M.GND			R 292	NRSA63J-1R0X	MG RESISTOR		
	C 822	QERF1AM-227Z	E CAPACITOR	VCC-M.GND			R 293	NRSA63J-103X	MG RESISTOR	/REST PULL UP	

■ Electrical parts list (CD servo board)

Block No. 04

△	Item	Parts number	Parts name	Remarks	Area
	R 294	NRSA63J-103X	MG RESISTOR	IC PULL DOWN	
	R 295	NRSA63J-103X	MG RESISTOR		
	R 601	NRSA63J-224X	MG RESISTOR	TBAL	
	R 602	NRSA63J-823X	MG RESISTOR	FBAL	
	R 603	NRSA63J-393X	MG RESISTOR	FE	
	R 605	NRSA63J-224X	MG RESISTOR	TE	
	R 607	NRSA63J-473X	MG RESISTOR	PDE	
	R 608	NRSA63J-473X	MG RESISTOR	PDF	
	R 611	NRSA63J-562X	MG RESISTOR	RF	
	R 613	NRSA63J-562X	MG RESISTOR	RF	
	R 614	NRSA63J-0R0X	MG RESISTOR	ARF	
	R 617	NRSA63J-332X	MG RESISTOR		
	R 631	NRSA02J-2R2X	MG RESISTOR	+5V DE-COUPLE	
	R 632	NRSA02J-3R9X	MG RESISTOR	APC EMITTER	
	R 634	NRSA02J-3R9X	MG RESISTOR	APC COLECTOR	
	R 635	NRSA63J-100X	MG RESISTOR	PU K	
	R 636	NRSA63J-151X	MG RESISTOR	PU LD	
	R 651	NRSA63J-102X	MG RESISTOR	LSI RESET	
	R 652	NRSA63J-102X	MG RESISTOR	STATAS	
	R 653	NRSA63J-102X	MG RESISTOR	SUBQ	
	R 654	NRSA63J-102X	MG RESISTOR	BLKCK	
	R 656	NRSA63J-102X	MG RESISTOR	DQSY	
	R 657	NRSA63J-101X	MG RESISTOR	SBCK	
	R 658	NRSA63J-102X	MG RESISTOR	SUBC	
	R 659	NRSA63J-473X	MG RESISTOR	LD ON	
	R 661	NRSA63J-203X	MG RESISTOR	LDON	
	R 662	NRSA63J-683X	MG RESISTOR	ARFF	
	R 663	NRSA63J-683X	MG RESISTOR	IREF	
	R 664	NRSA63J-331X	MG RESISTOR	PLL F	
	R 665	NRSA63J-101X	MG RESISTOR	X2	
	R 666	NRSA02J-101X	MG RESISTOR	AVDD1 DE-COUPLE	
	R 667	NRSA02J-4R7X	MG RESISTOR	AVDD2 DE-COUPLE	
	R 668	NRSA63J-155X	MG RESISTOR		
	R 669	NRSA63J-562X	MG RESISTOR	VCOF	
	R 670	NRSA02J-101X	MG RESISTOR	VDD DE-COUPLE	
	R 671	NRSA63J-684X	MG RESISTOR	DSL B-DSL F	
	R 673	NRSA63J-683X	MG RESISTOR	IREF CHANGE	
	R 682	NRSA63J-102X	MG RESISTOR	TE	
	R 683	NRSA63J-105X	MG RESISTOR	TRSRC	
	R 685	NRSA63J-683X	MG RESISTOR	DRF	
	R 691	NRSA63J-681X	MG RESISTOR	OUTL	
	R 692	NRSA63J-681X	MG RESISTOR	OUTR	
	R 695	NRSA63J-561X	MG RESISTOR	OUTL	
	R 696	NRSA63J-561X	MG RESISTOR	OUTR	
	R 701	NRSA63J-102X	MG RESISTOR	DEMPH	
	R 801	NRSA63J-272X	MG RESISTOR	VG3	
	R 802	NRSA63J-152X	MG RESISTOR	FOD	
	R 803	NRSA63J-472X	MG RESISTOR	TRD	
	R 804	NRSA63J-103X	MG RESISTOR	TRD	
	R 805	NRSA63J-562X	MG RESISTOR	TVD	
	R 808	NRSA63J-183X	MG RESISTOR	ECM	
	R 809	NRSA63J-152X	MG RESISTOR	ECS	
	R 811	NRSA63J-473X	MG RESISTOR	/DRMUTE	
	R 812	NRSA63J-152X	MG RESISTOR	TRD	
	R 813	NRSA63J-182X	MG RESISTOR	FOD	
	SW680	QSW0865-001	CAM SWITCH	CAM SW	
	SW690	QSW0886-002	DETECT SWITCH	P.POSI1	
	SW691	QSW0886-002	DETECT SWITCH	P.POSI2	
	SW692	QSW0886-002	DETECT SWITCH	P.POSI3	
	SW693	QSW0886-002	DETECT SWITCH	SUB.TRY OP/CL	
	X 251	QAX0684-001Z	C RESONATOR	FOR IC251 8.38M	
	X 651	QAX0599-001Z	CRYSTAL	FOR IC651	

■ Electrical parts list

Block No. 05

△	Item	Parts number	Parts name	Remarks	Area
	CN620	QGB1214K1-08S	CONNECTOR		
	SW 1	QSW0844-001	PUSH SWITCH		
	SW 2	QSW0844-001	PUSH SWITCH		
	SW 3	QSW0844-001	PUSH SWITCH		
	SW 4	QSW0844-001	PUSH SWITCH		
	SW 5	QSW0844-001	PUSH SWITCH		
	SW 6	QSW0844-001	PUSH SWITCH		

■ Electrical parts list

Block No. 06

△	Item	Parts number	Parts name	Remarks	Area
	CN699	EMV7169-006R	CONNECTOR		
	S 699	VSH1173-001	LEAF SWITCH		

■ Electrical parts list

Block No. 07

△	Item	Parts number	Parts name	Remarks	Area
	CN 1	QGF1016F3-06	FFC/FPC CONNE		
	S 1	QSW0910-002	SWITCH	DW DET SW	
	S 2	QSW0910-002	SWITCH	OC DET SW	

< MEMO >

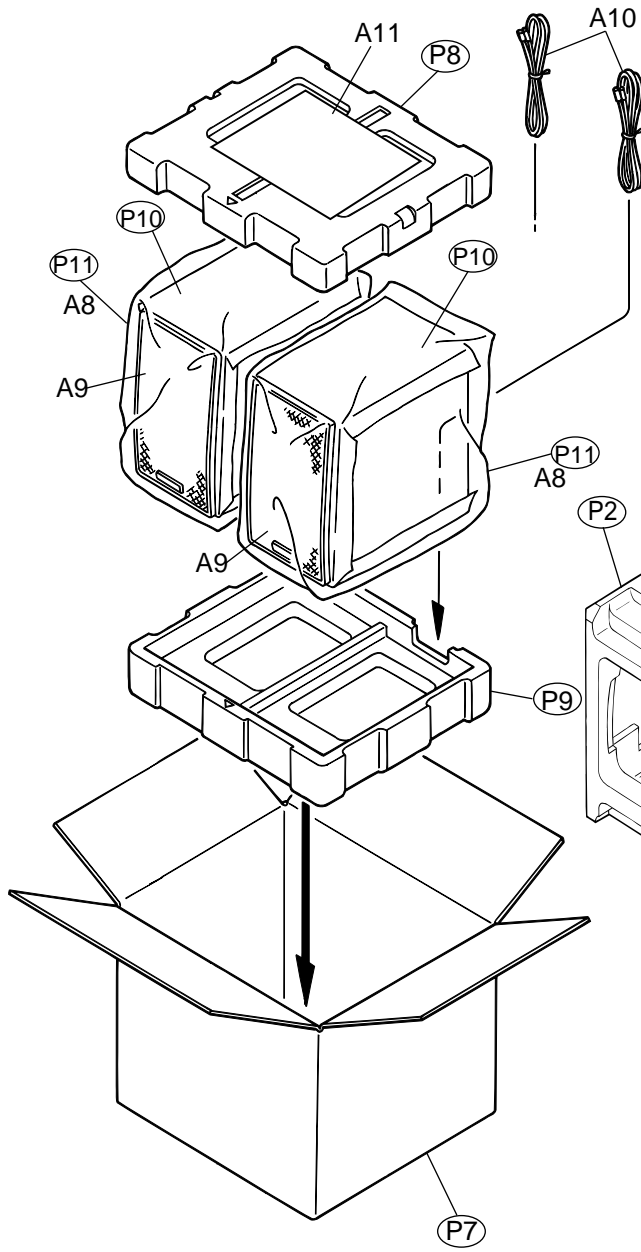
Packing materials and accessories parts list

Block No.

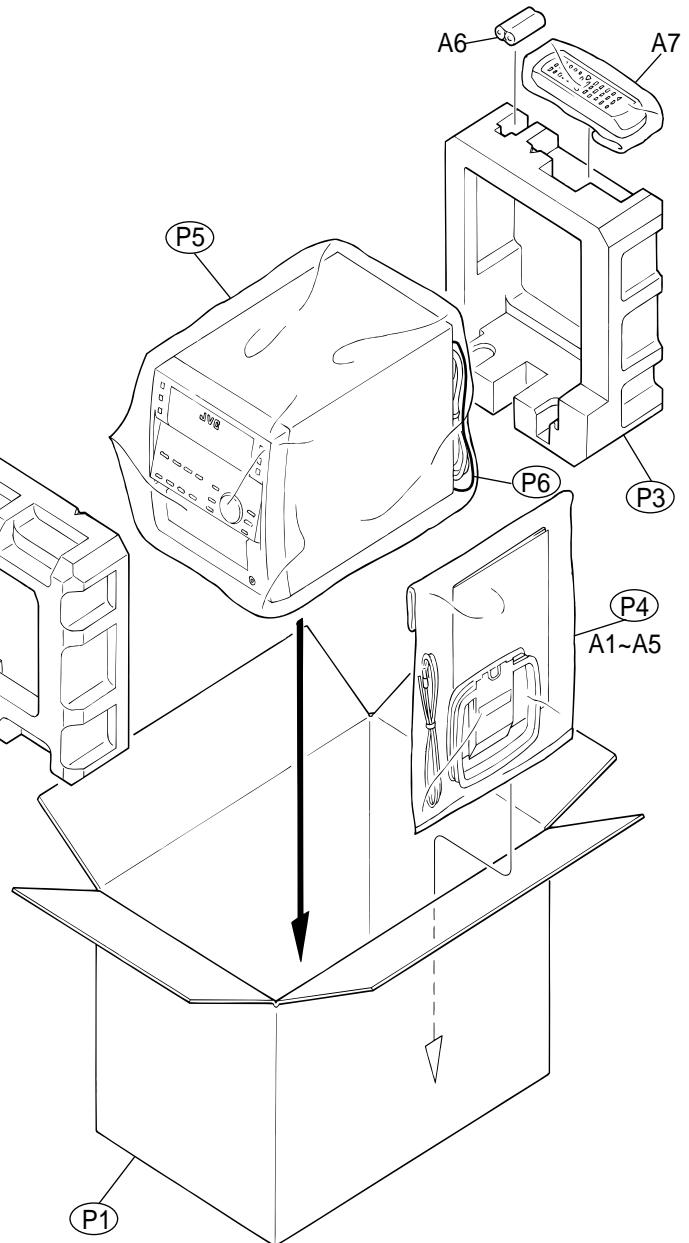
M	3	M	M
---	---	---	---

Block No.

M	5	M	M
---	---	---	---



SP-NXCDR7R



CA-NXCDR7R

Parts list (Packing)

Block No. M3MM

△	Item	Parts number	Parts name	Q'ty	Description	Area
	P 1	LV33029-001A	PACKING CASE	1		
	P 2	LV10583-001A	PACKING PAD(F)	1		
	P 3	LV10584-001A	PACKING PAD(R)	1		
	P 4	QPC02503510P	POLY BAG	1	FOR ACCESSARY	
	P 5	QPC05006515P	POLY BAG	1	FOR SET	
	P 6	QPA01002503	POLY BAG	1		B
	P 7	8300043931	CARTON	1		
	P 8	8000046701	TOP CUSHION	1		
	P 9	8000046711	BOTTOM CUSHION	1		
	P 10	8500042701	MIRROR MAT	2		
	P 11	8500041601	POLY BAG	2		

Parts list (Accessories)

Block No. M5MM

△	Item	Parts number	Parts name	Q'ty	Description	Area
	A 1	LVT0749-003A	INST.BOOK(CA-NXCDR7R)	1	ENG	B
		LVT0749-004A	INST.BOOK(CA-NXCDR7R)	1	GER,FRE,DUT	E
		LVT0749-005A	INST.BOOK(CA-NXCDR7R)	1	GER,FRE,SPA,ITA,SWE,FIN,DAN	EN
	A 2	VNA3000-204	REGIST.CARD	1		B
	A 3	BT-54008-2	WARRANTY CARD	1		
	A 4	QAL0014-001	AM LOOP ANT	1		
	A 5	EWP503-001C	ANT.WIRE	1		
	A 6	R6SPTT-2STSM	BATTERY	2	FOR REMOCON	
	A 7	RM-SNXCDR7R	REMOCON	1	FOR E VER	
	A 8	NXCDR7R-SPBOX	SPEAKER BOX	2		
	A 9	9910006211	NET ASSY	2		
	A 10	6200036801	SPEAKER CORD	2		
	A 11	8700099901	INST BOOK(SP-NXCDR7R)	1	ENG,GER,FRE,DUT,SPA,ITA SWE,FIN,DAN,POL,HUN,CZE	